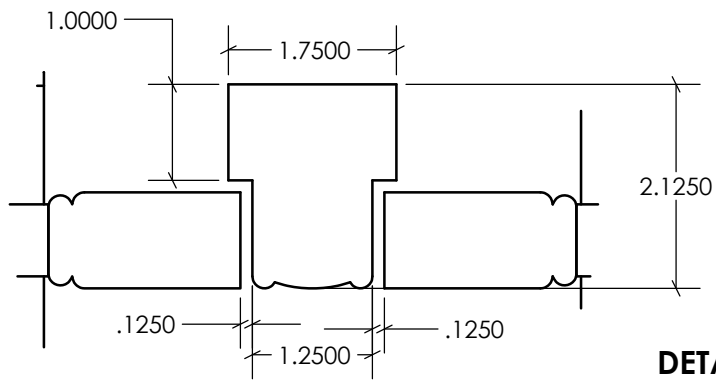
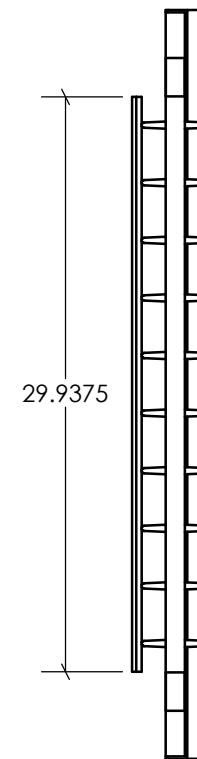
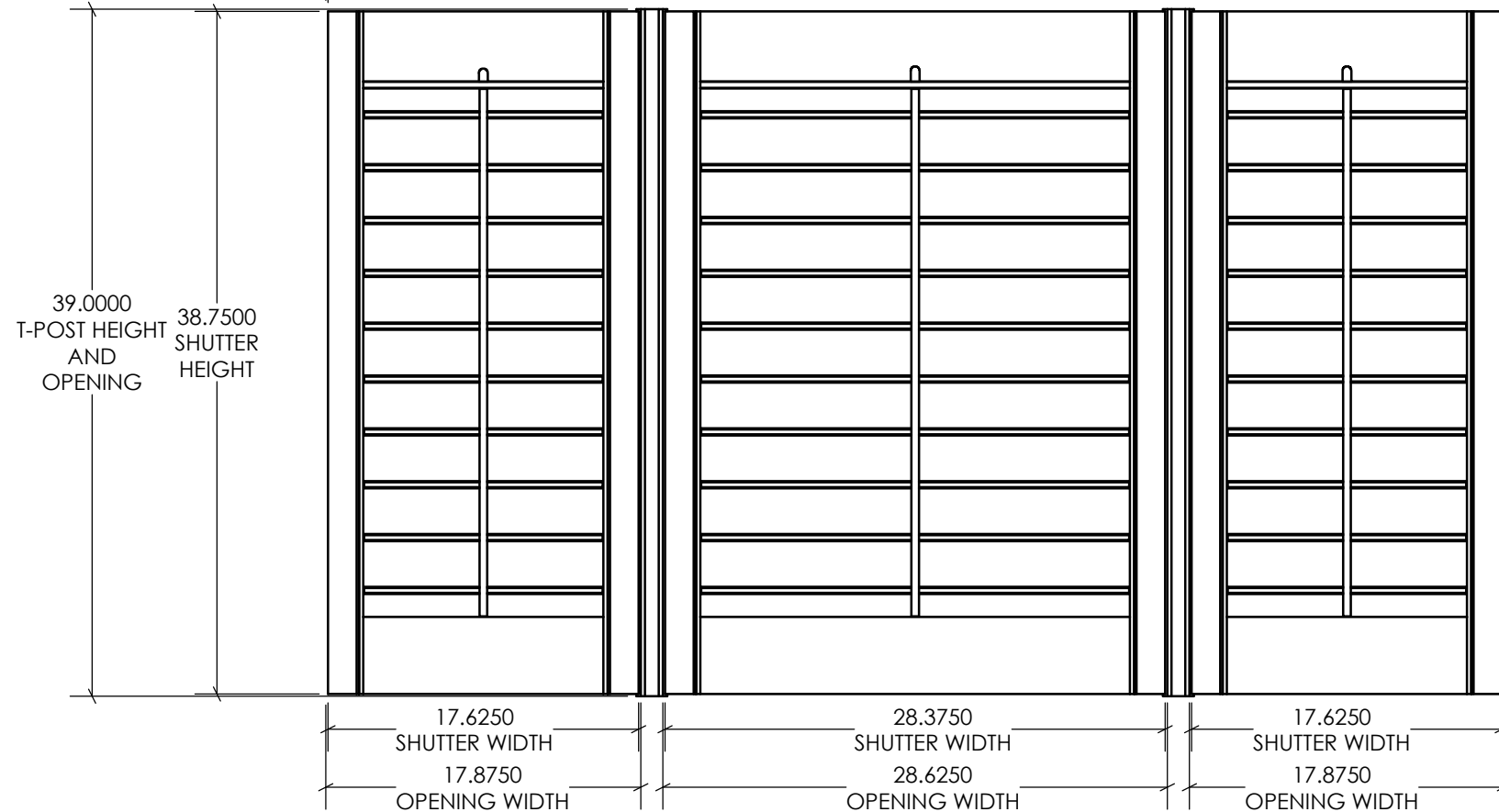
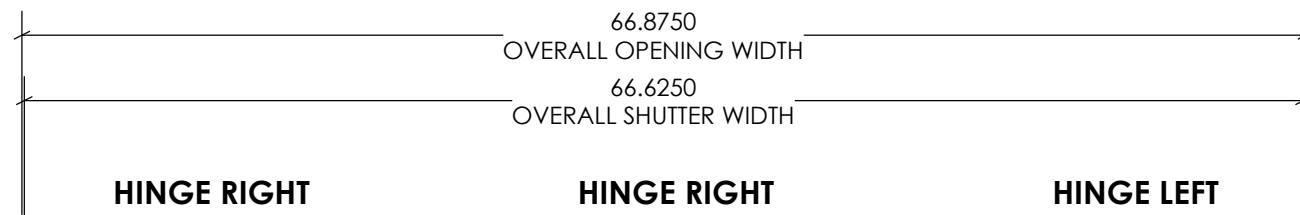
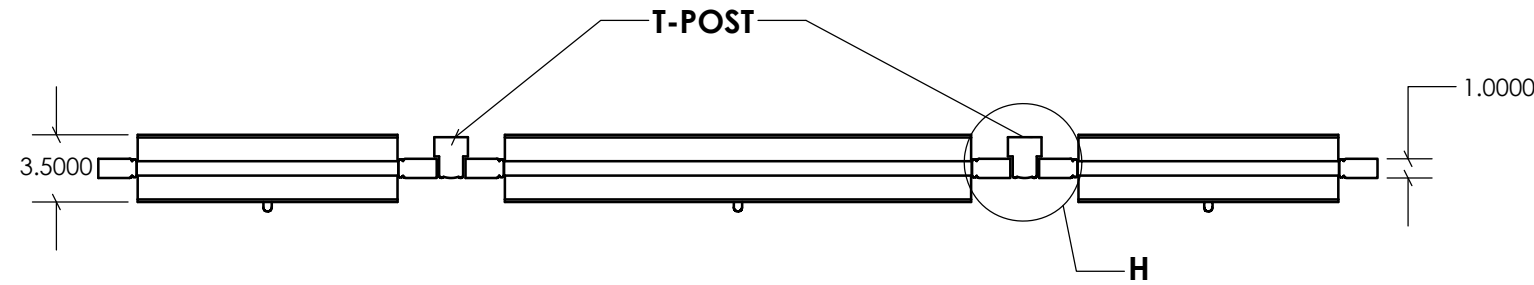


**NOTES**

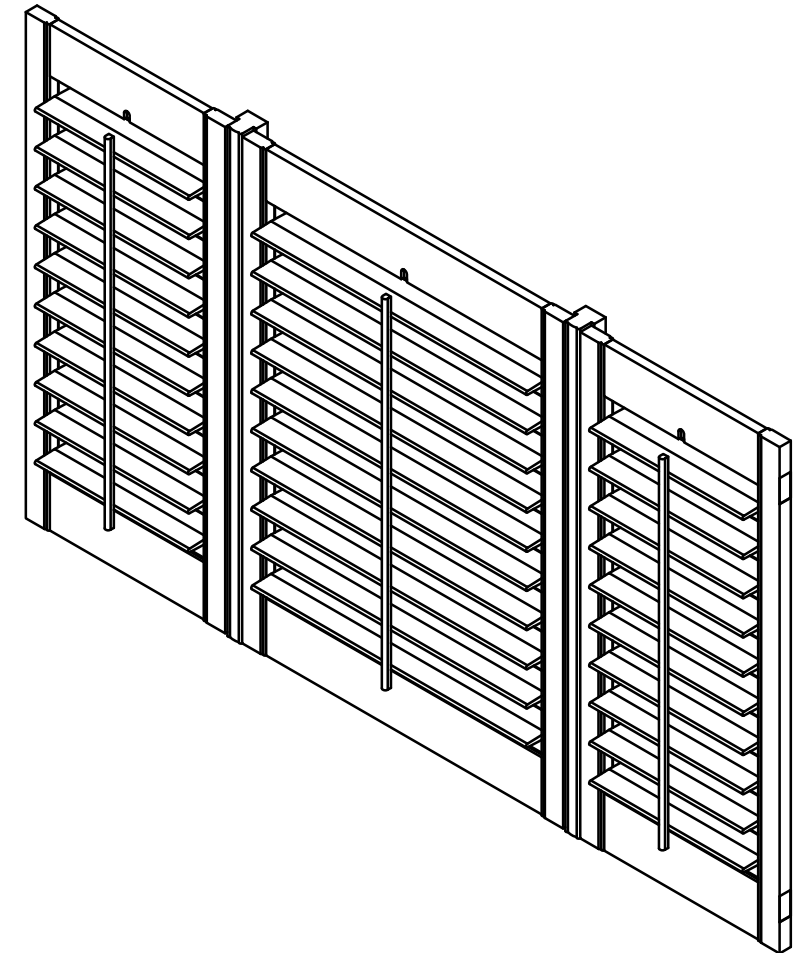
1. **MATERIAL: BASSWOOD**
2. **FINISH: CUSTOM PAINT COLOR MATCH**
- 3.



**DETAIL H**



REVISIONS			
REV.	DESCRIPTION	DATE	DRAWN BY
A	INITIAL RELEASE		



Approval Signature \_\_\_\_\_

Date \_\_\_\_\_

The signature (or AAN Stamp) on this print indicates the approval of the design, dimensions, and quantities shown. Authorization for this product to be manufactured is given.

**\*\*\*ALL PARTS SHOWN ARE ADAMS STANDARD PROFILES\*\*\***  
**\*\*\*TWO DIMENSION REVISIONS ARE INCLUDED\*\*\***  
**\*\*\*ANY CHANGES TO PROFILES/PARTS WILL INCUR ADDITIONAL CHARGES\*\*\***

UNLESS OTHERWISE SPECIFIED  
DIMENSIONS ARE IN INCHES

TOLERANCES:

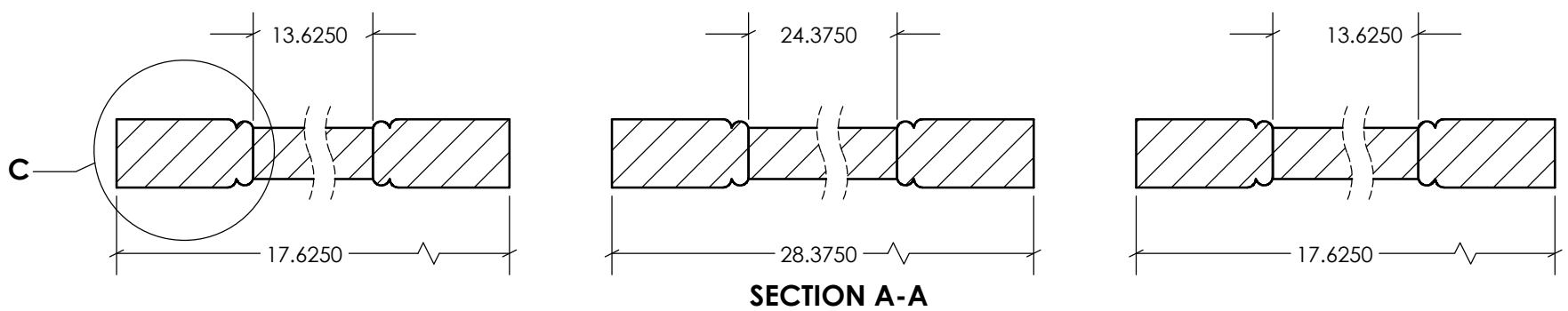
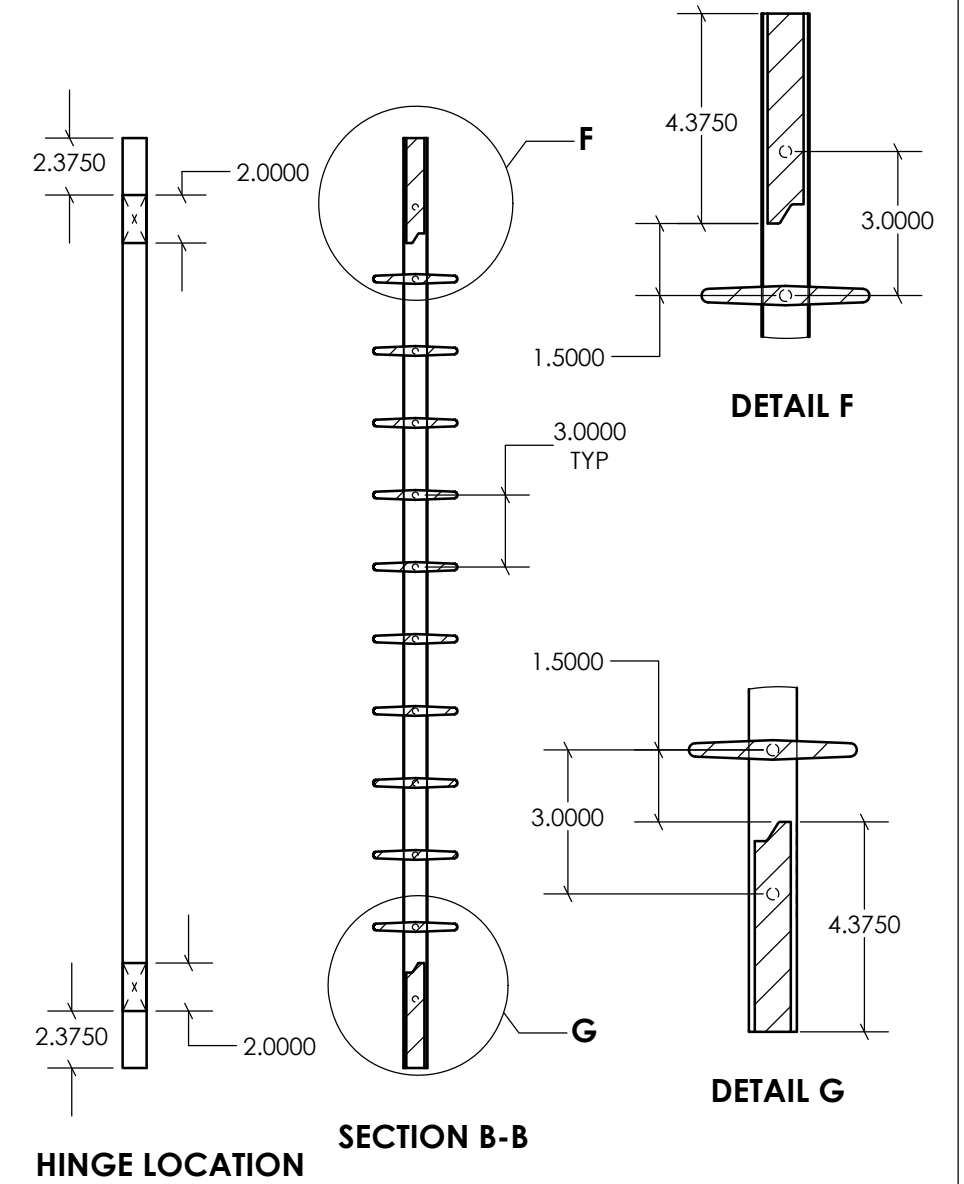
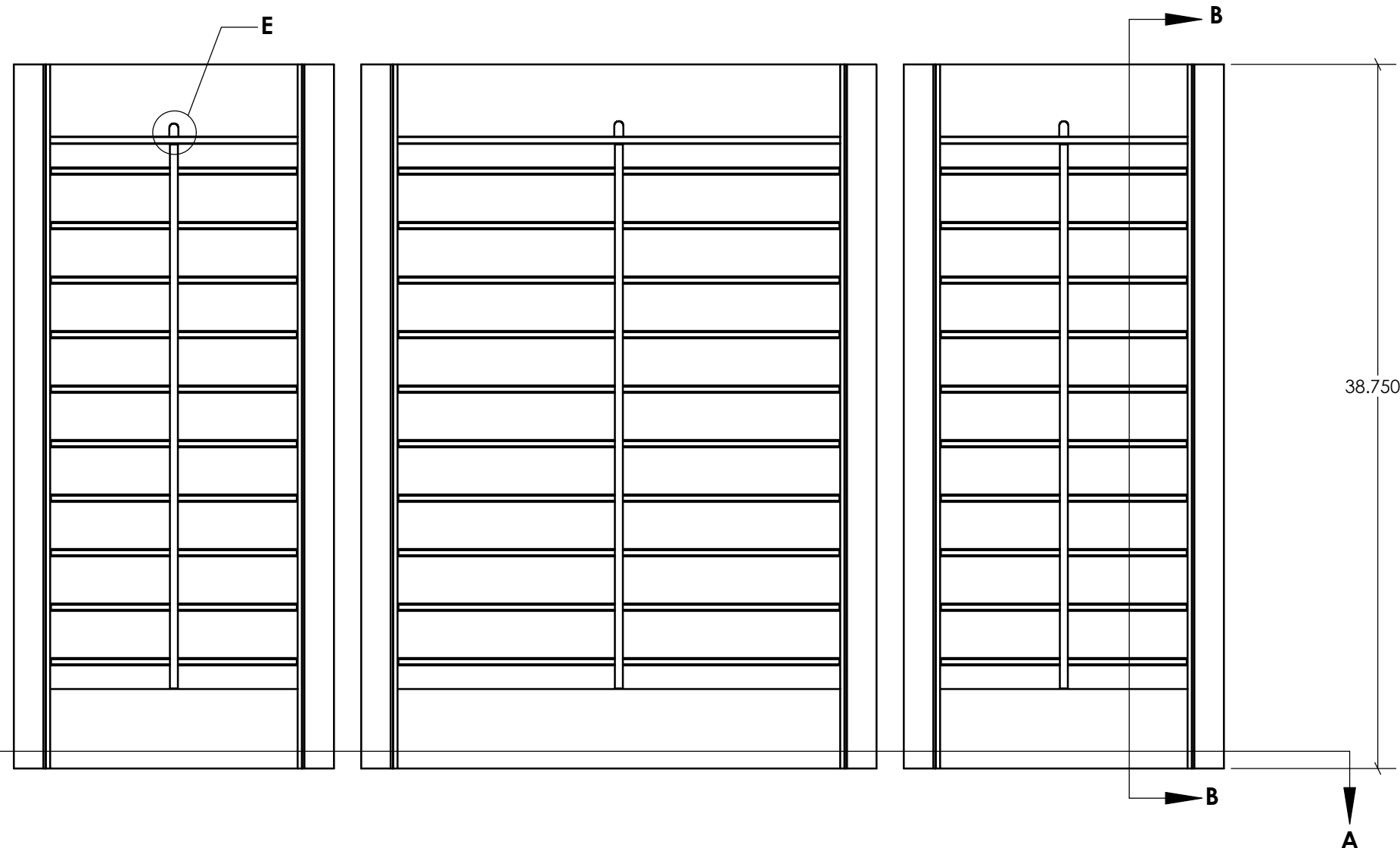
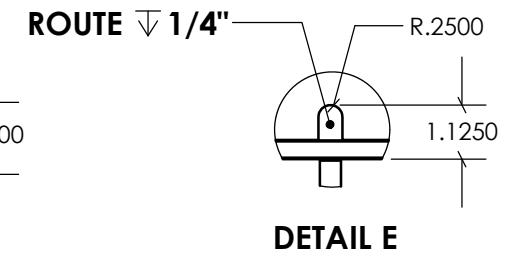
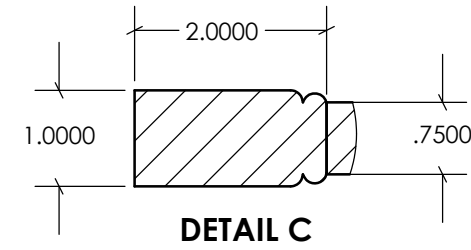
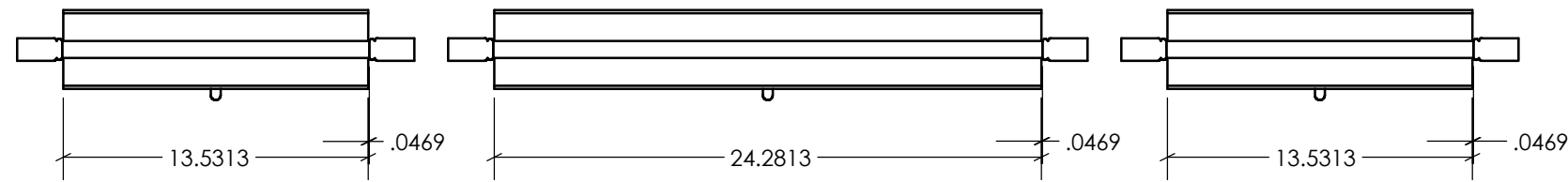


2225 Kerper Blvd.  
Dubuque, IA 52001  
563-690-1358 p  
563-557-8852 f

**Caribbean Louvered Shutter  
3 Leaf Set with T-Posts**

SHEET 1 of 2	SIZE B	REV A
--------------	-----------	----------

LOUVER QTY = 10 PER PANEL



UNLESS OTHERWISE SPECIFIED DIMENSIONS ARE IN INCHES  TOLERANCES:			2225 Kerper Blvd. Dubuque, IA 52001 563-690-1358 p 563-557-8852 f
	<b>Caribbean Louvered Shutter 3 Leaf Set with T-Posts</b>		
SHEET 2 of 2	SIZE B		REV A