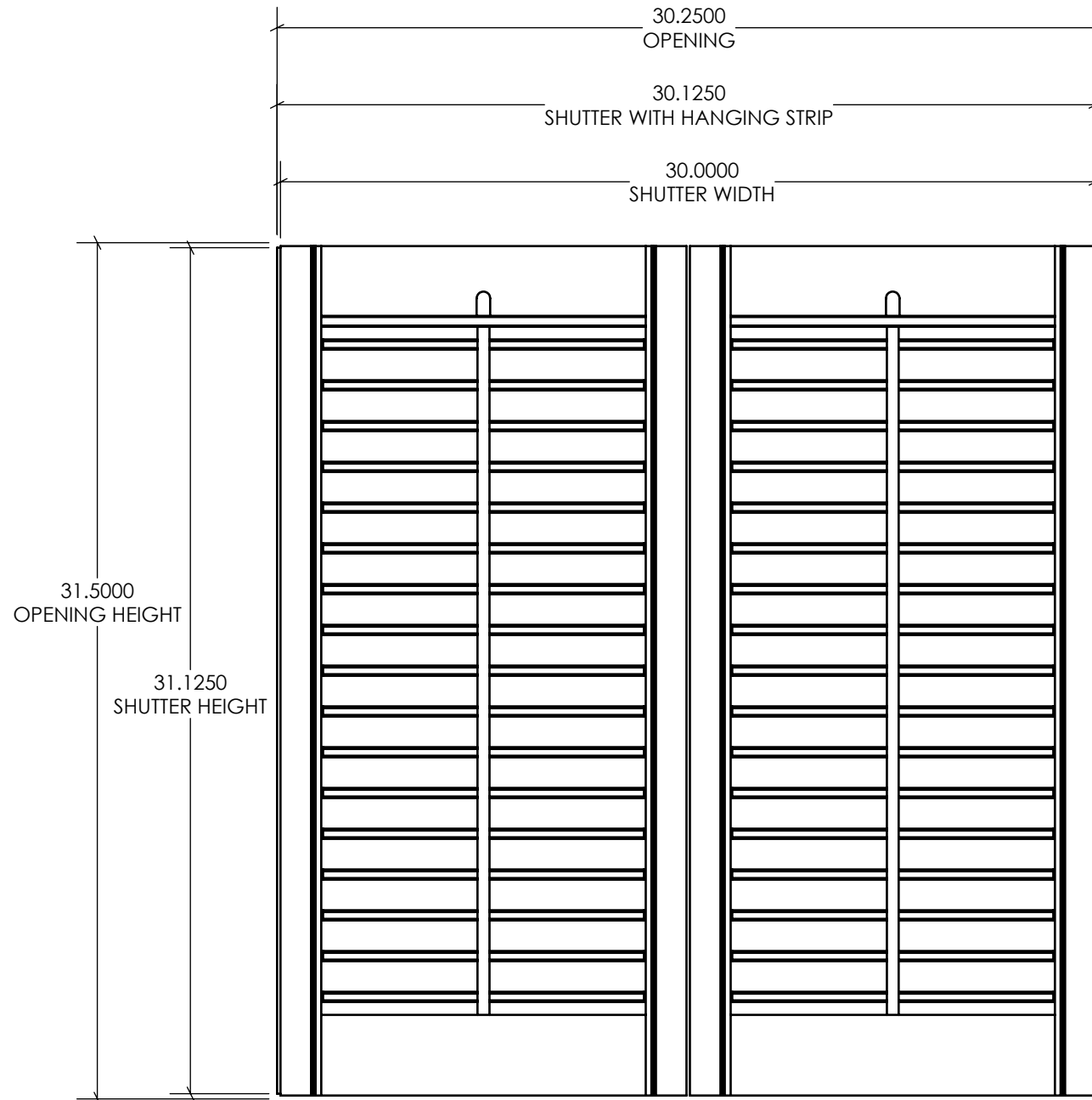
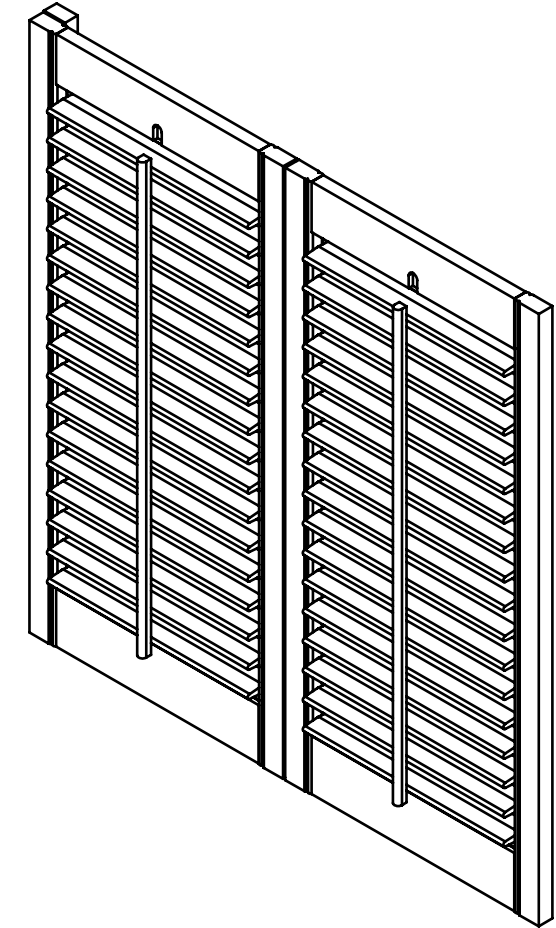


**NOTES**

**1. FOLD LEFT**



| REVISIONS |                 |      |          |
|-----------|-----------------|------|----------|
| REV.      | DESCRIPTION     | DATE | DRAWN BY |
| A         | INITIAL RELEASE |      |          |




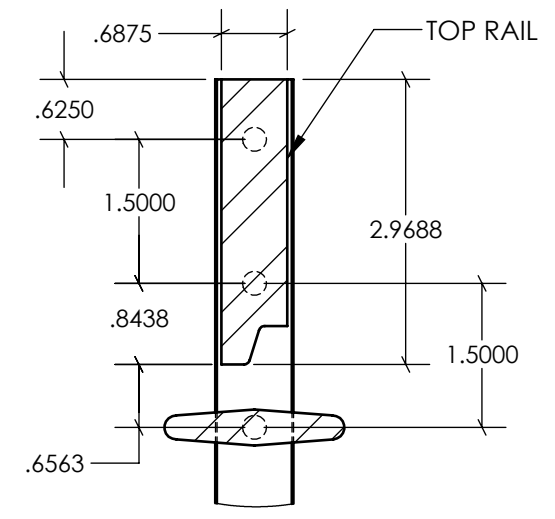
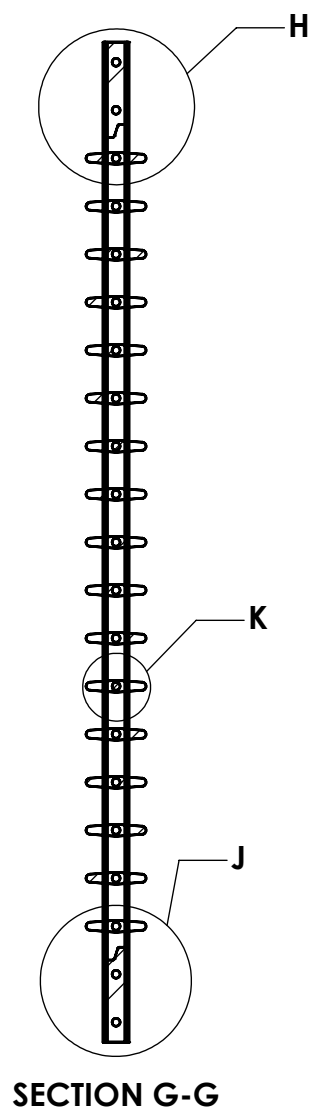
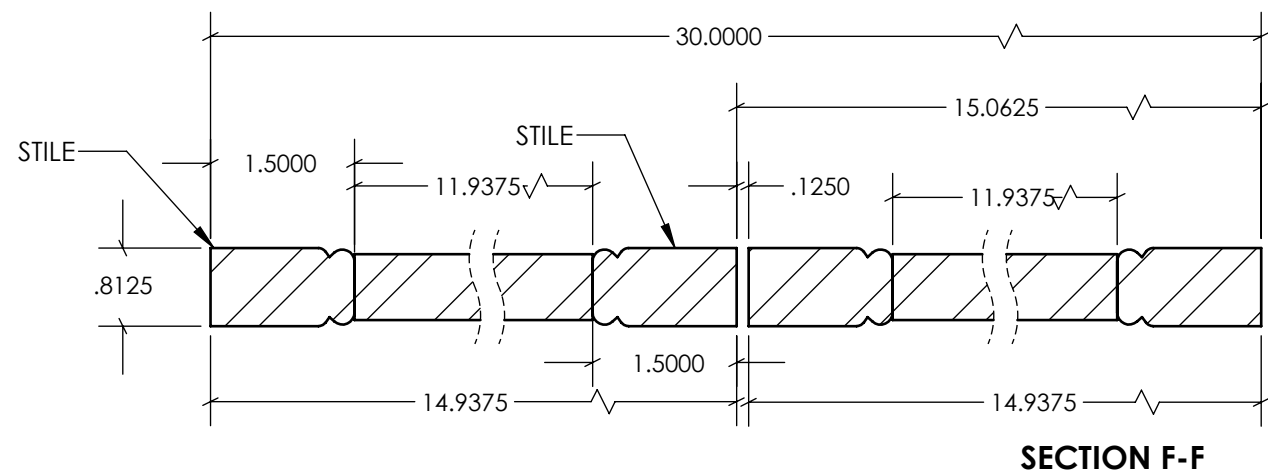
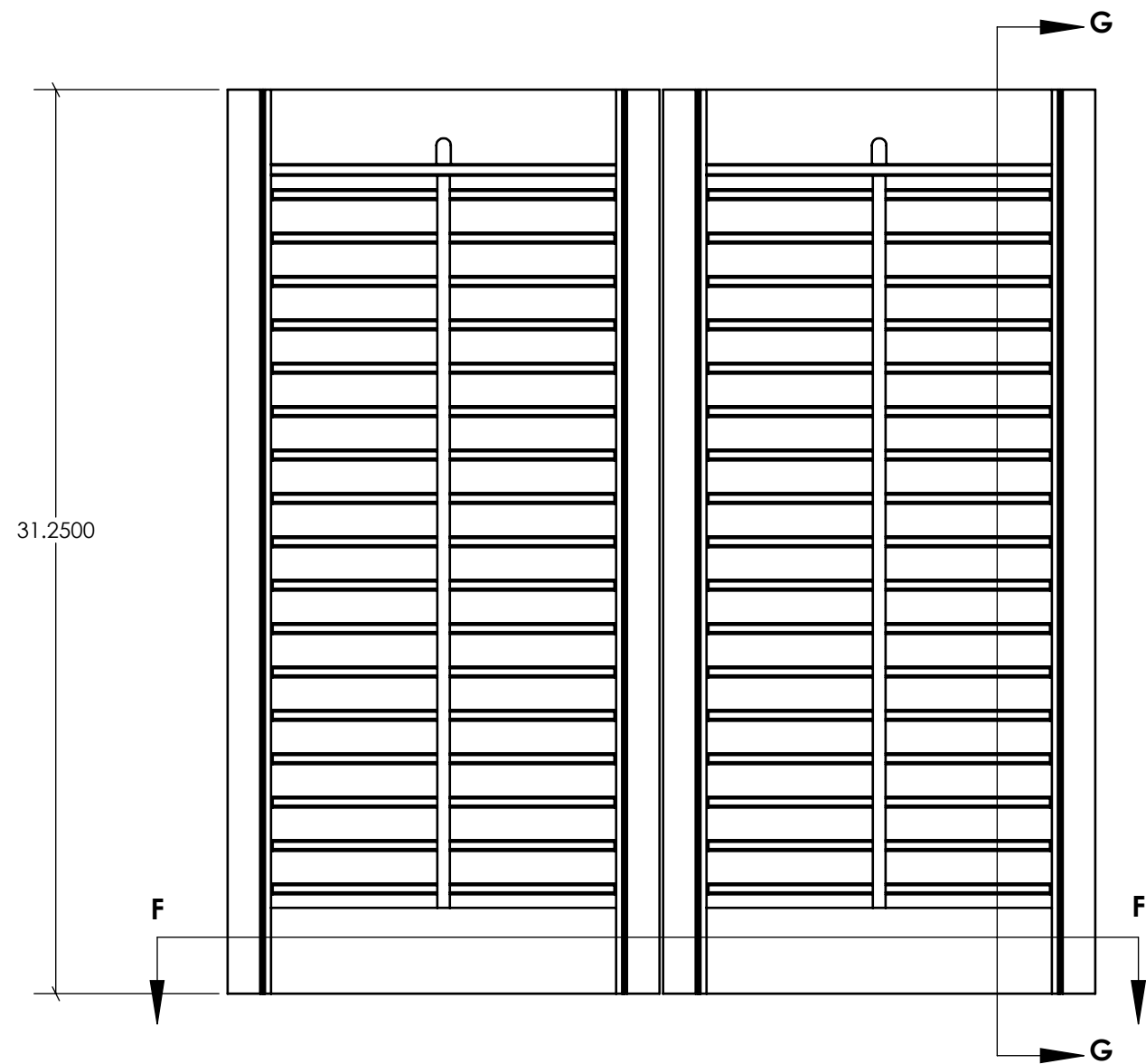
Approval Signature \_\_\_\_\_

Date \_\_\_\_\_

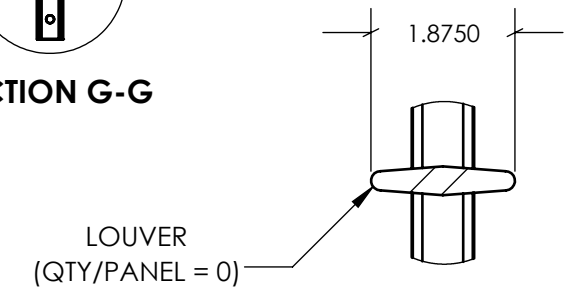
The signature (or AAN Stamp) on this print indicates the approval of the design, dimensions, and quantities shown. Authorization for this product to be manufactured is given.

**\*\*\*ALL PARTS SHOWN ARE ADAMS STANDARD PROFILES\*\*\***  
**\*\*\*TWO DIMENSION REVISIONS ARE INCLUDED\*\*\***  
**\*\*\*ANY CHANGES TO PROFILES/PARTS WILL INCUR ADDITIONAL CHARGES\*\*\***

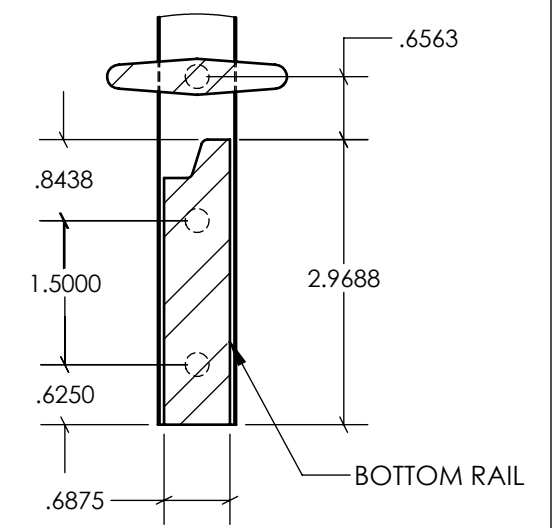
|  |             |   |  |
|--|-------------|---|--|
| UNLESS OTHERWISE SPECIFIED<br>DIMENSIONS ARE IN INCHES | TOLERANCES: |  | 2225 Kerper Blvd.<br>Dubuque, IA 52001 |
|  |             |   | 563-690-1358 p<br>563-557-8852 f       |
|  |             | <b>Plantation Louvered Shutter<br/>2 Leaf Set</b>                                     |  |
| SHEET 1 OF 3   | SIZE<br>B   |   | REV<br><b>A</b>                        |




**DETAIL H**

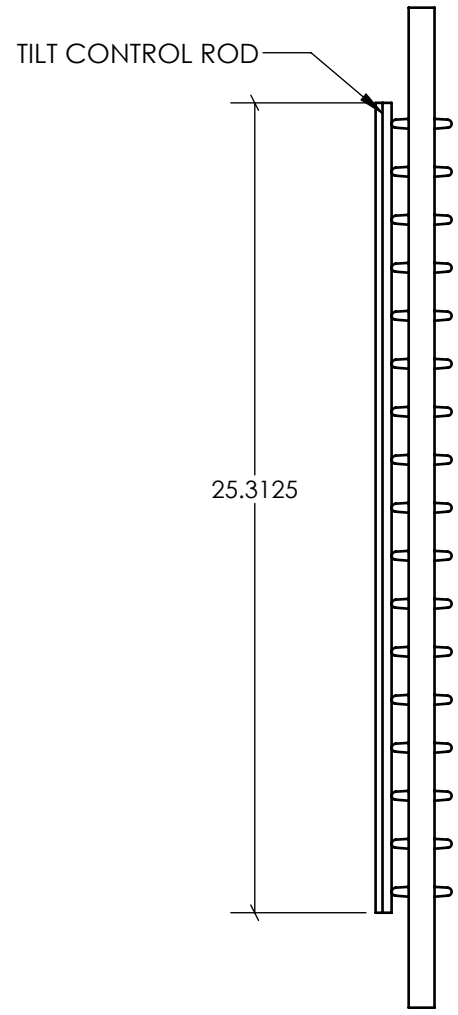
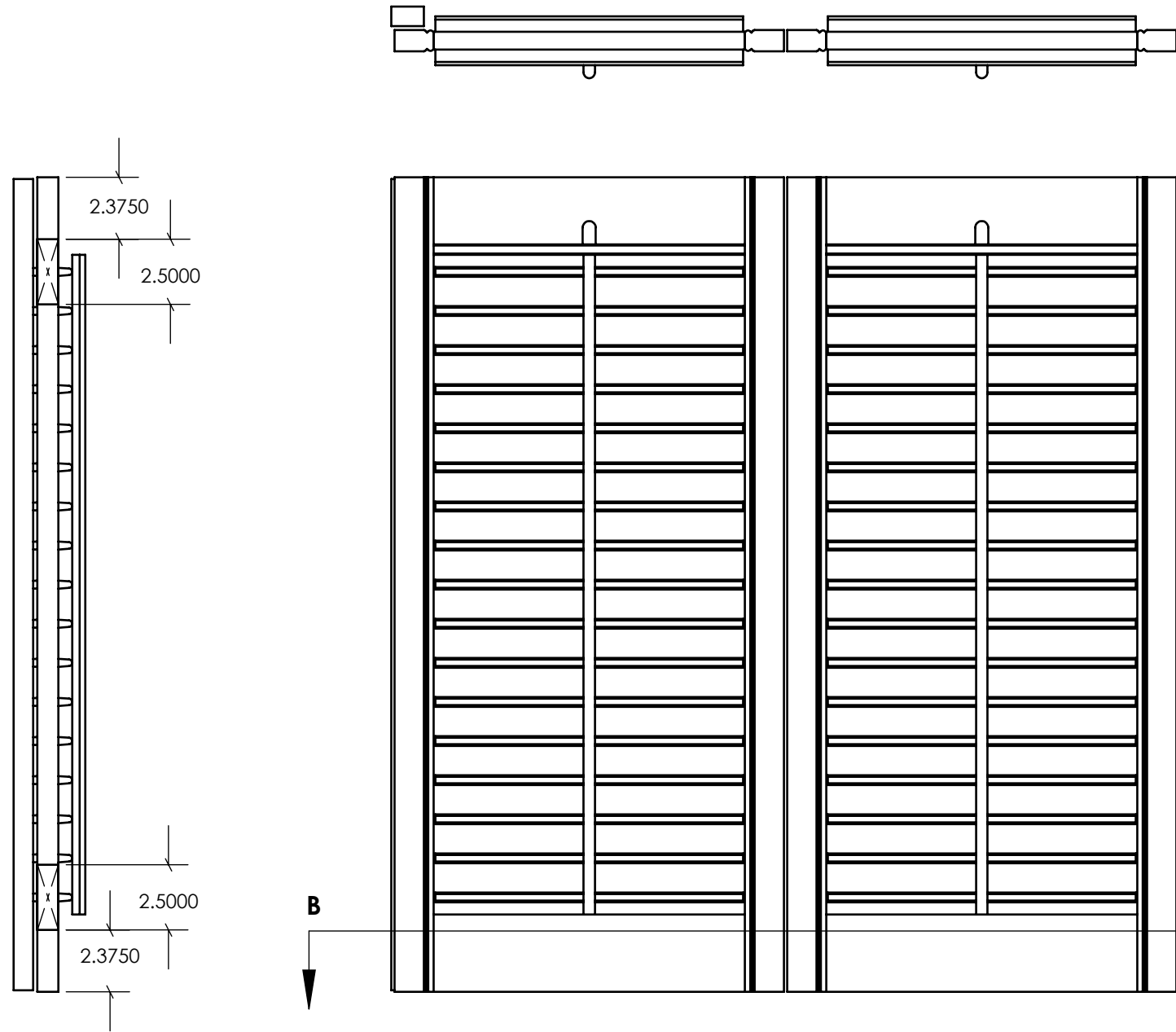


**DETAIL K**

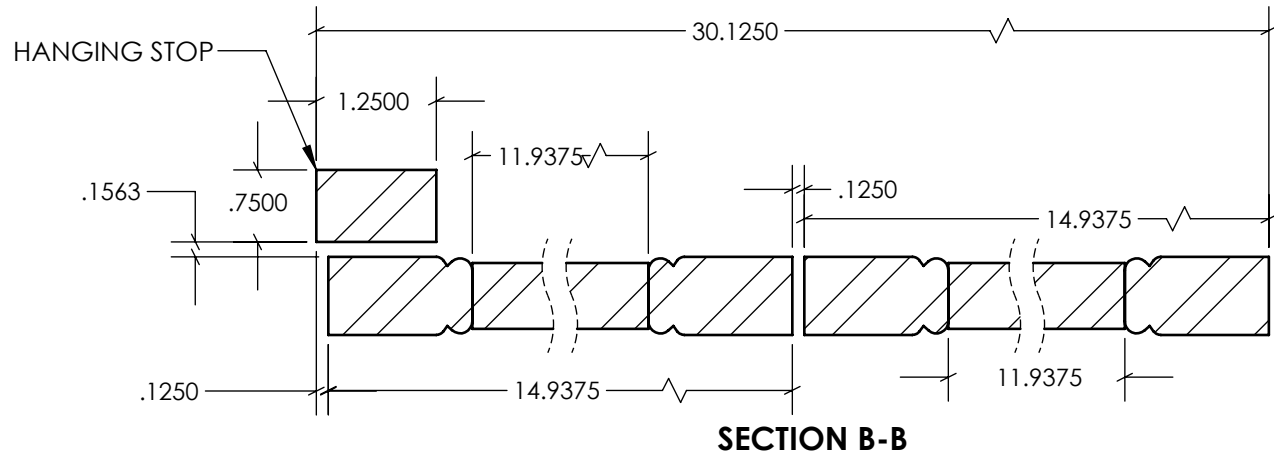


**DETAIL J**


|  |   |  |          |
|--|---|--|----------|
| UNLESS OTHERWISE SPECIFIED<br>DIMENSIONS ARE IN INCHES |  | 2225 Kerper Blvd.<br>Dubuque, IA 52001<br>563-690-1358 p<br>563-557-8852 f |          |
|  |   | <b>Plantation Louvered Shutter<br/>2 Leaf Set</b>                          |          |
| SHEET 2 OF 3   | SIZE<br>B   |  | REV<br>A |



**HINGE LOCATIONS  
(HANGING STOPS HIDDEN)**



**SECTION B-B**

|  |   |  |          |
|--|---|--|----------|
| UNLESS OTHERWISE SPECIFIED<br>DIMENSIONS ARE IN INCHES |  | 2225 Kerper Blvd.<br>Dubuque, IA 52001<br>563-690-1358 p<br>563-557-8852 f |          |
|  |   | <b>Plantation Louvered Shutter<br/>2 Leaf Set</b>                          |          |
| SHEET 3 OF 3   | SIZE<br>B   |  | REV<br>A |