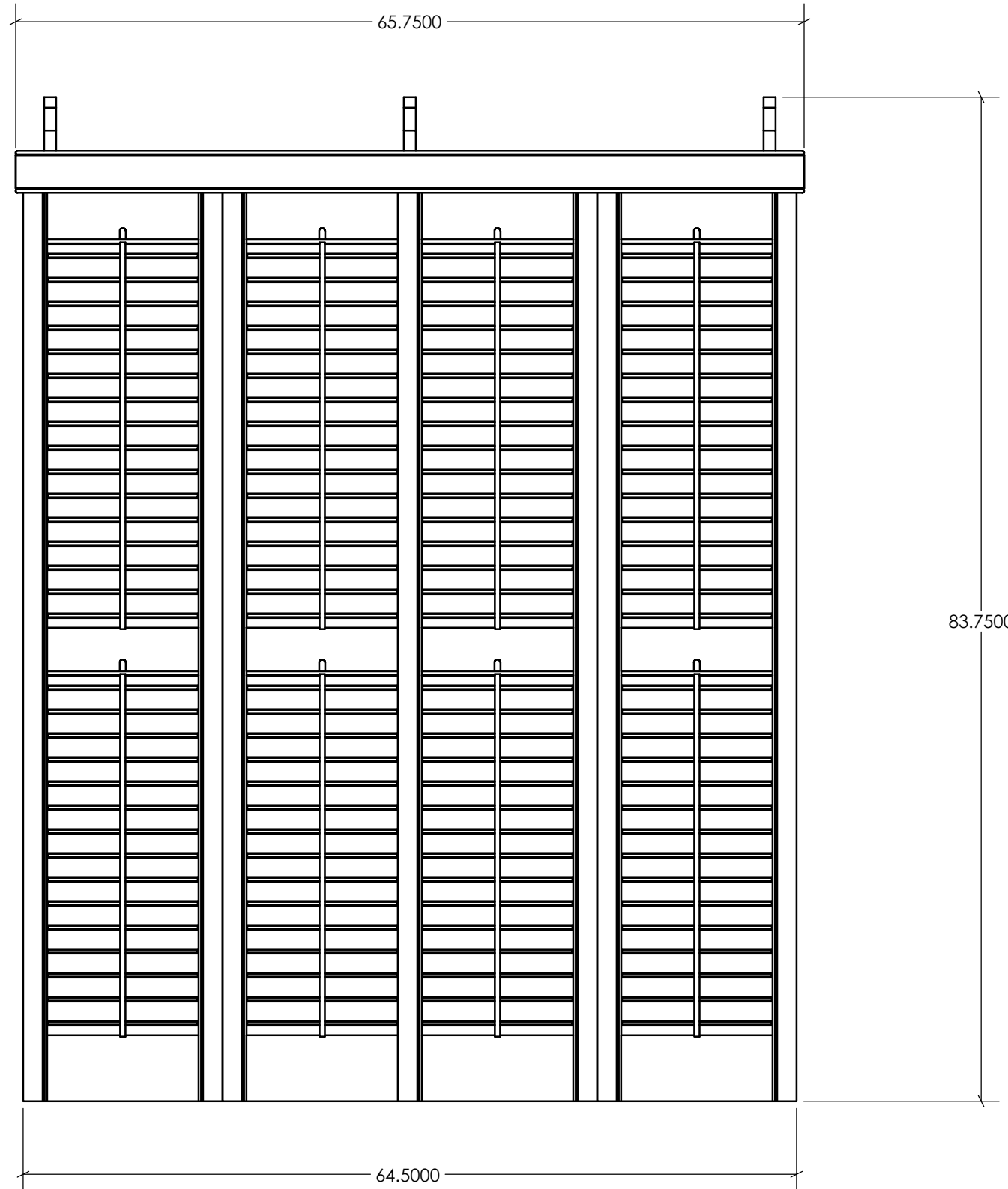
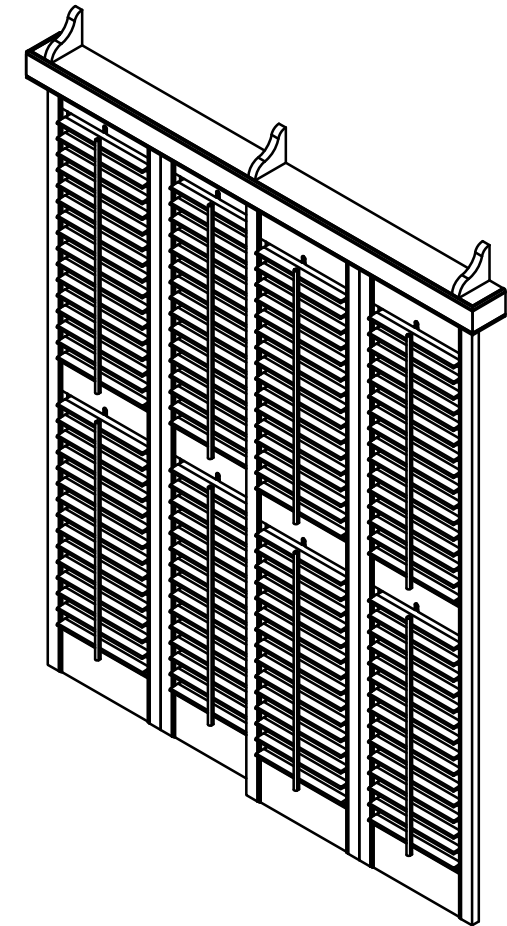


NOTES

1.



REVISIONS			
REV.	DESCRIPTION	DATE	DRAWN BY
A	INITIAL RELEASE		



Approval Signature


Date

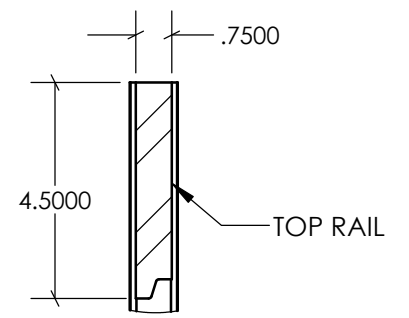
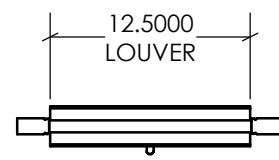
The signature (or AAN Stamp) on this print indicates the approval of the design, dimensions, and quantities shown. Authorization for this product to be manufactured is given.

*****ALL PARTS SHOWN ARE ADAMS STANDARD PROFILES*****

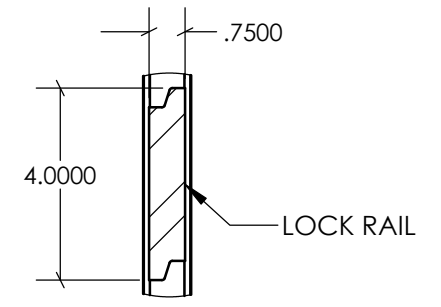
*****TWO DIMENSION REVISIONS ARE INCLUDED*****

*****ANY CHANGES TO PROFILES/PARTS WILL INCUR ADDITIONAL CHARGES*****

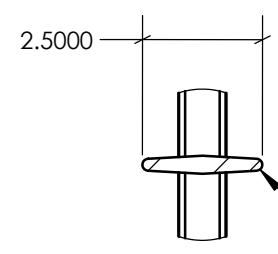
UNLESS OTHERWISE SPECIFIED DIMENSIONS ARE IN INCHES		2225 Kerper Blvd. Dubuque, IA 52001 563-690-1358 p 563-557-8852 f	
		Plantation Rolling Shutter 4 Panels_Door Width	
TOLERANCES:			
SHEET 1 OF 4	SIZE B		REV A



DETAIL D

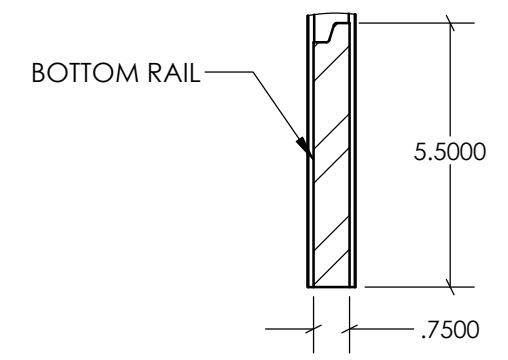


DETAIL E

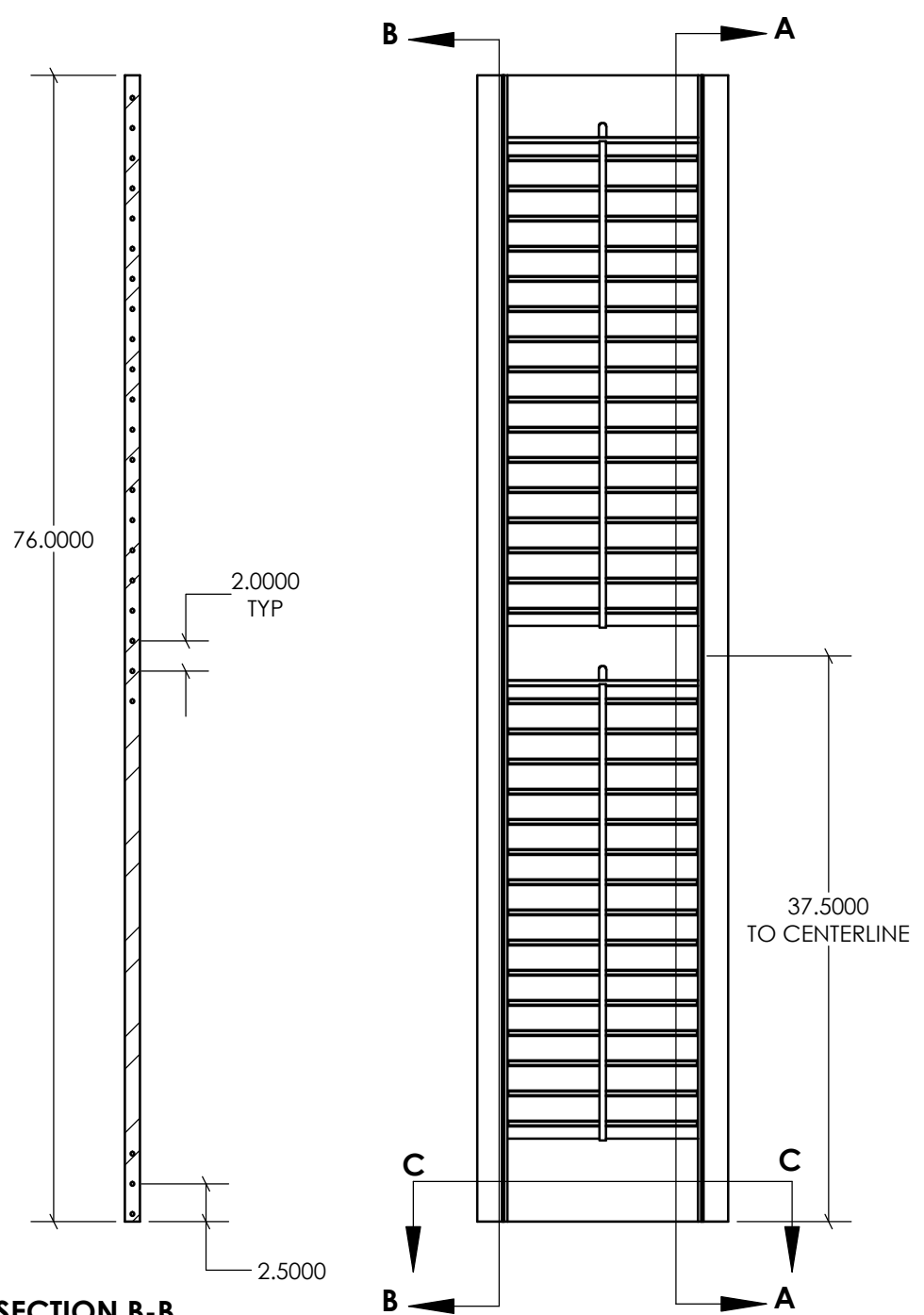


DETAIL F

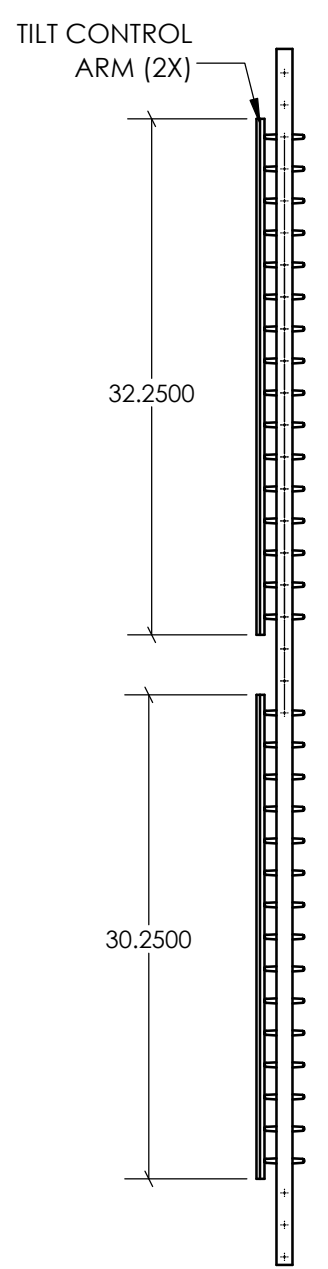
QTY = 16.00 UPPER LOUVERS
QTY = 15.00 LOWER LOUVERS



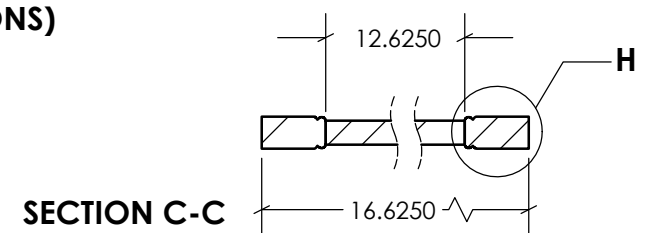
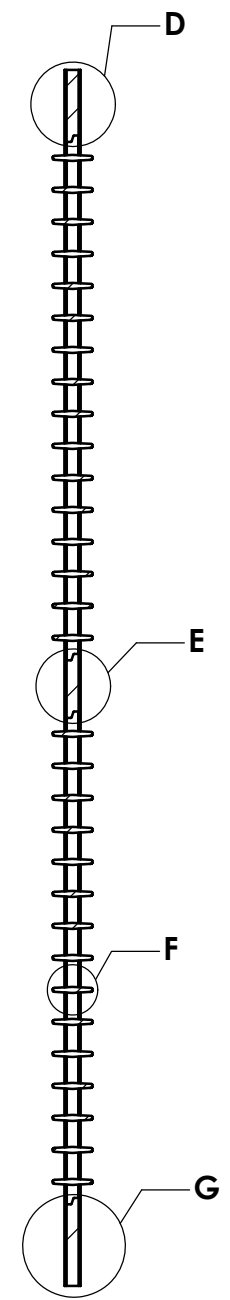
DETAIL G



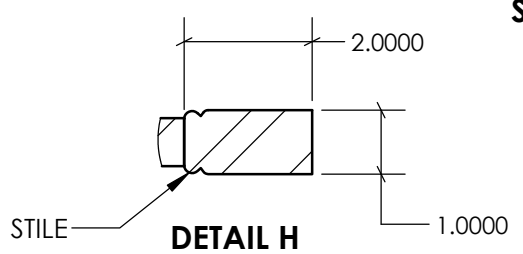
**SECTION B-B
(LOUVER HOLE LOCATIONS)**



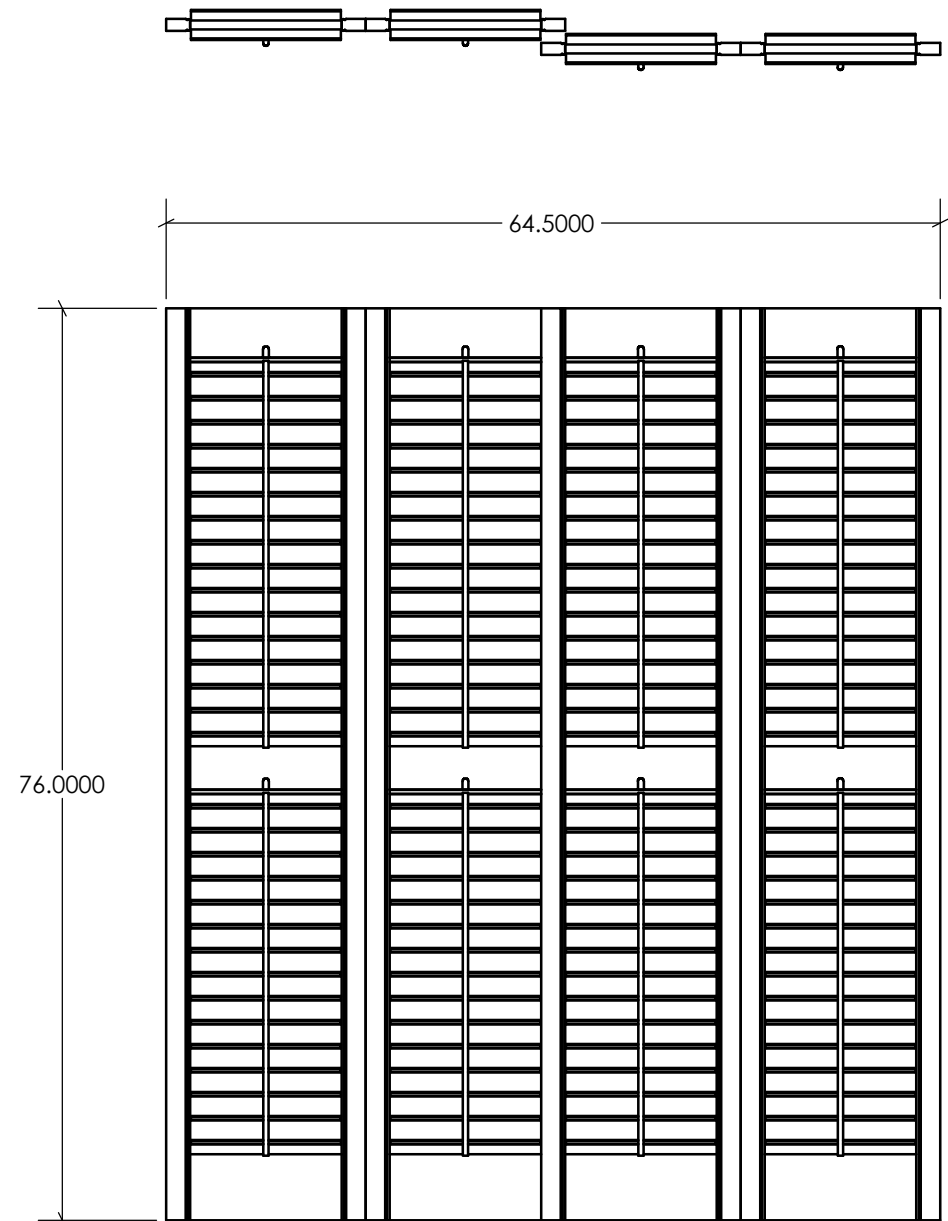
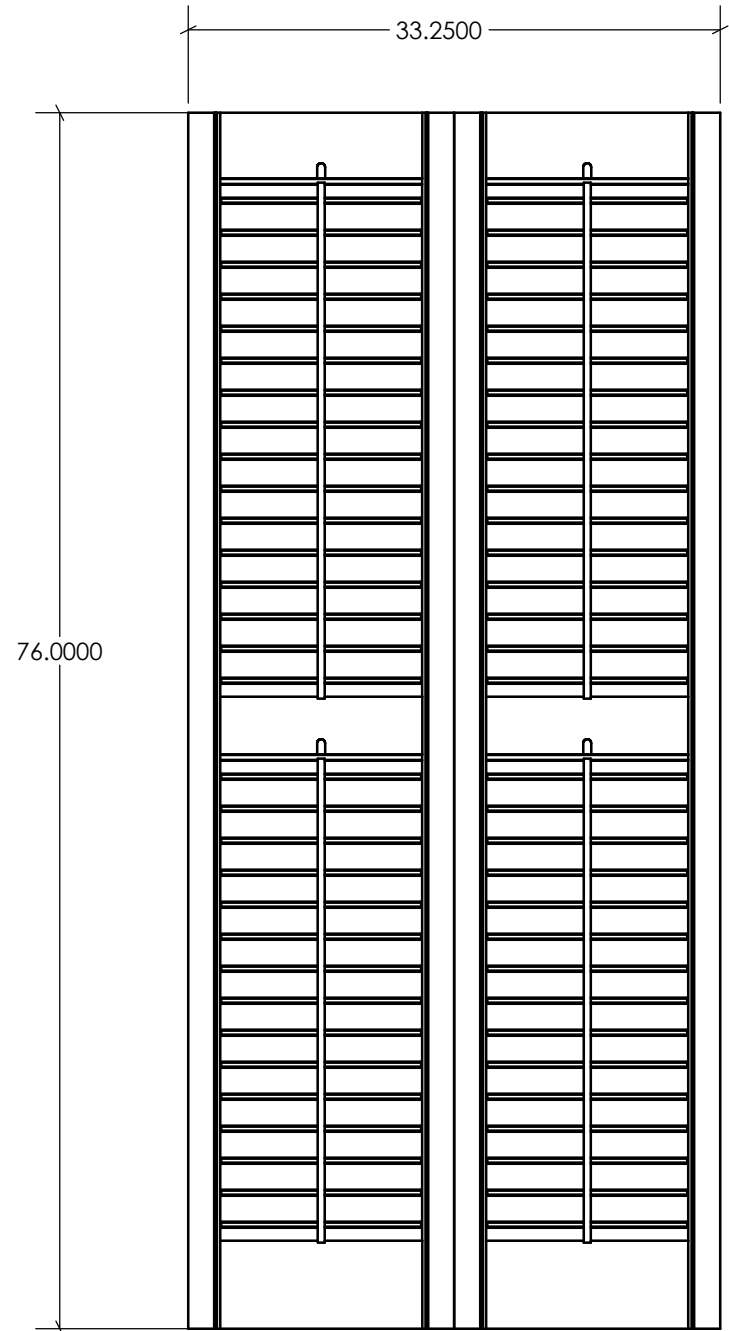
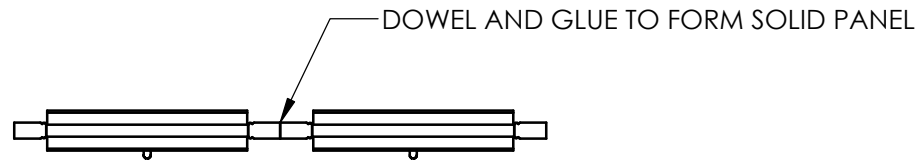
SECTION A-A



SECTION C-C



UNLESS OTHERWISE SPECIFIED DIMENSIONS ARE IN INCHES TOLERANCES:			2225 Kerper Blvd. Dubuque, IA 52001 563-690-1358 p 563-557-8852 f
	Plantation Rolling Shutter 4 Panels_Door Width		
SHEET 2 OF 4	SIZE B		REV A



UNLESS OTHERWISE SPECIFIED
DIMENSIONS ARE IN INCHES

TOLERANCES:



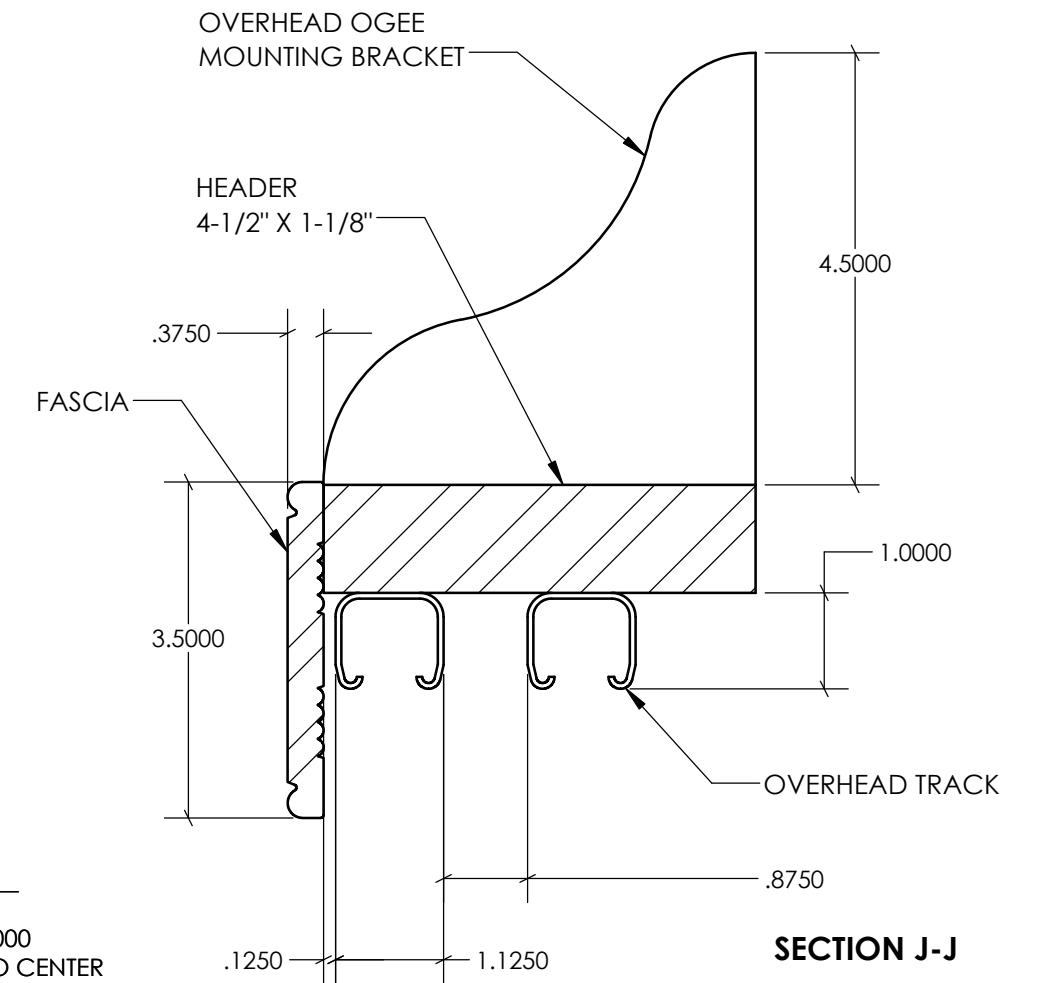
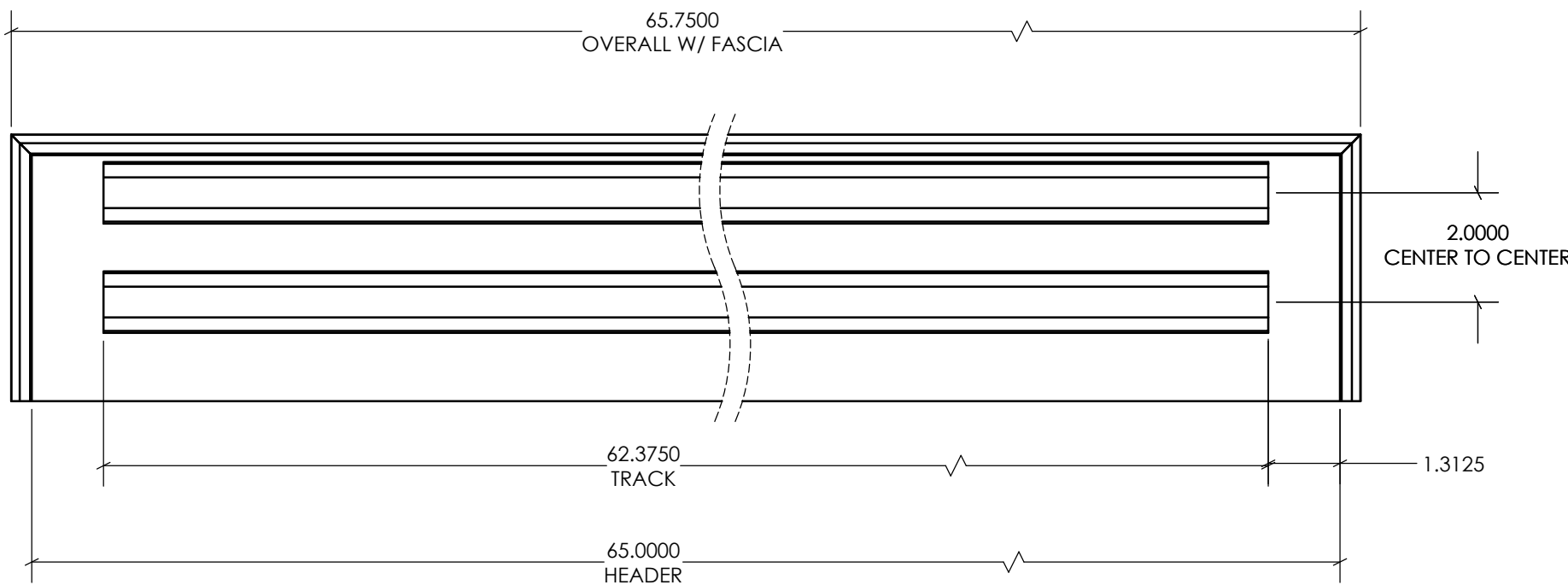
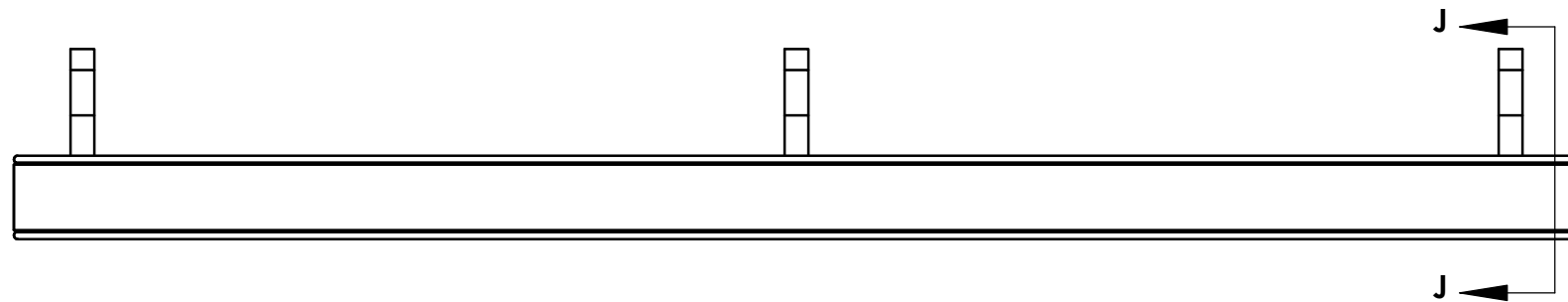
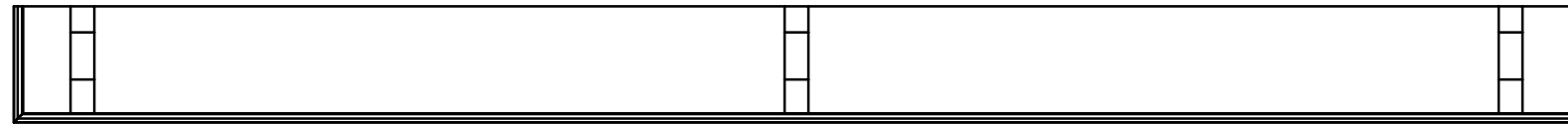
2225 Kerper Blvd.
Dubuque, IA 52001
563-690-1358 p
563-557-8852 f


**Plantation Rolling Shutter
4 Panels_Door Width**

SHEET 3 OF 4

SIZE
B

REV
A



UNLESS OTHERWISE SPECIFIED DIMENSIONS ARE IN INCHES		2225 Kerper Blvd. Dubuque, IA 52001 563-690-1358 p 563-557-8852 f	
		Plantation Rolling Shutter 4 Panels_Door Width	
TOLERANCES:			
SHEET 4 OF 4	SIZE B		REV A