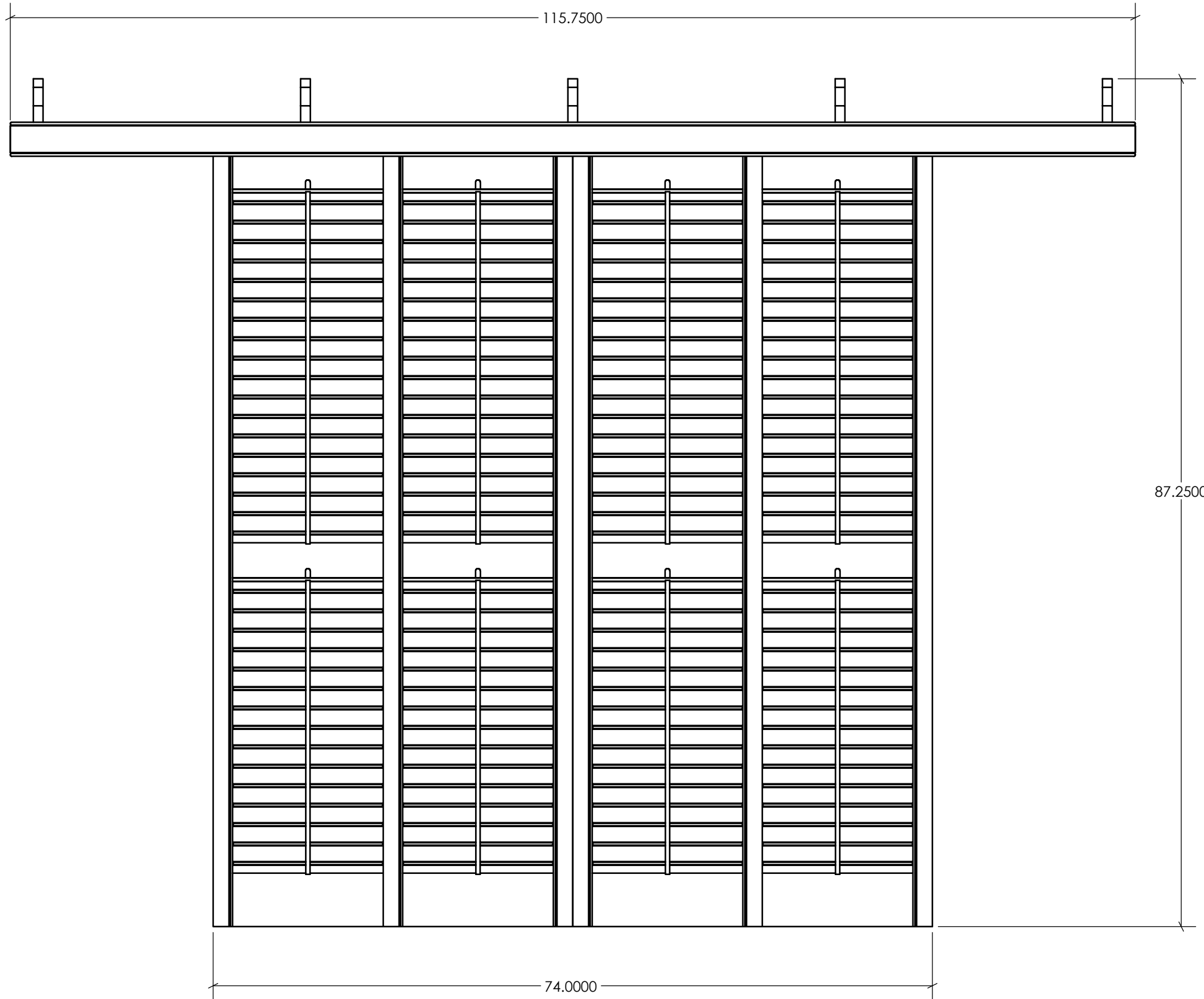
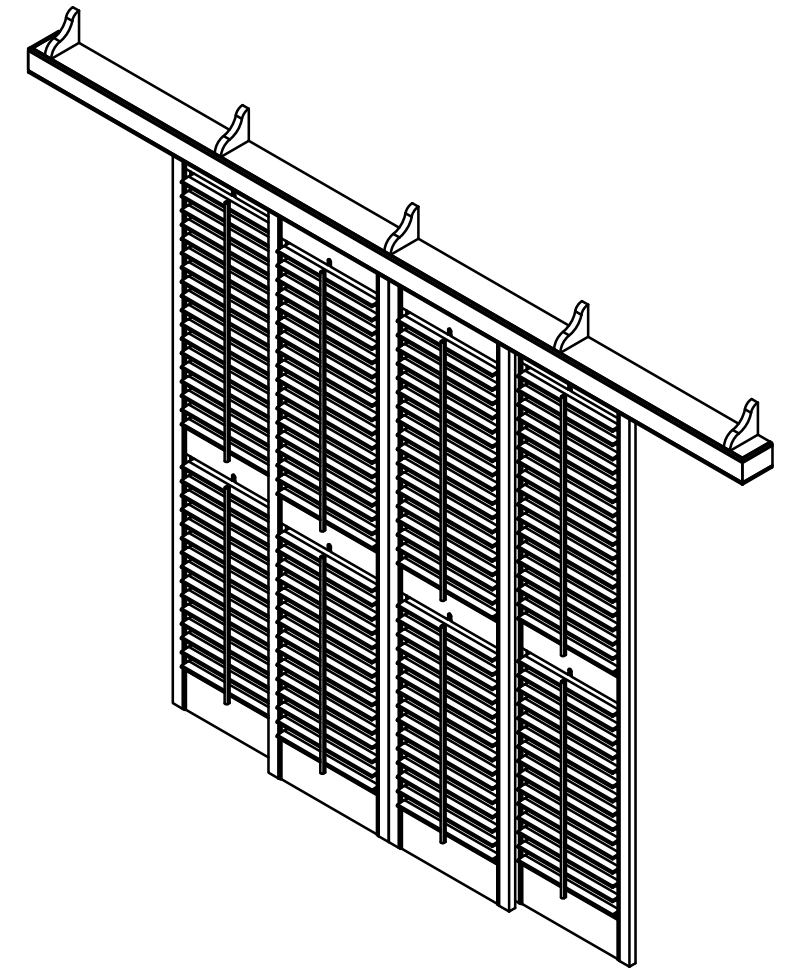


NOTES

1.



REVISIONS			
REV.	DESCRIPTION	DATE	DRAWN BY
A	INITIAL RELEASE		




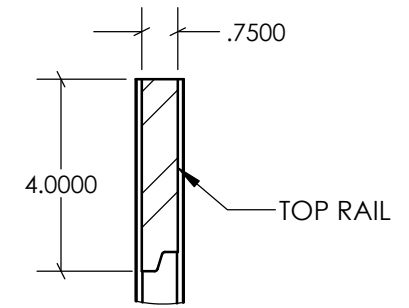
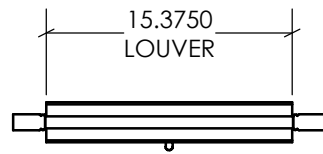
Approval Signature

Date

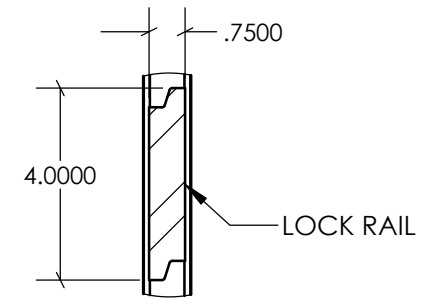
The signature (or AAN Stamp) on this print indicates the approval of the design, dimensions, and quantities shown. Authorization for this product to be manufactured is given.

*****ALL PARTS SHOWN ARE ADAMS STANDARD PROFILES*****
*****TWO DIMENSION REVISIONS ARE INCLUDED*****
*****ANY CHANGES TO PROFILES/PARTS WILL INCUR ADDITIONAL CHARGES*****

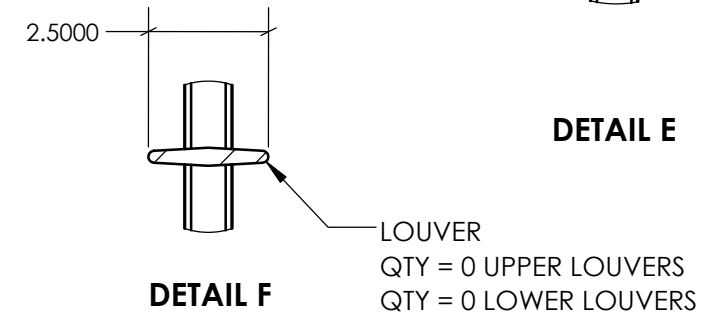
UNLESS OTHERWISE SPECIFIED DIMENSIONS ARE IN INCHES		2225 Kerper Blvd. Dubuque, IA 52001 563-690-1358 p 563-557-8852 f	
		Plantation Rolling Shutter 4 Panels Moving Past Opening	
TOLERANCES:			
SHEET 1 OF 3	SIZE B		REV A



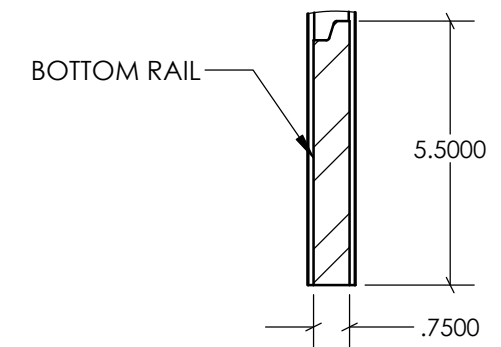
DETAIL D



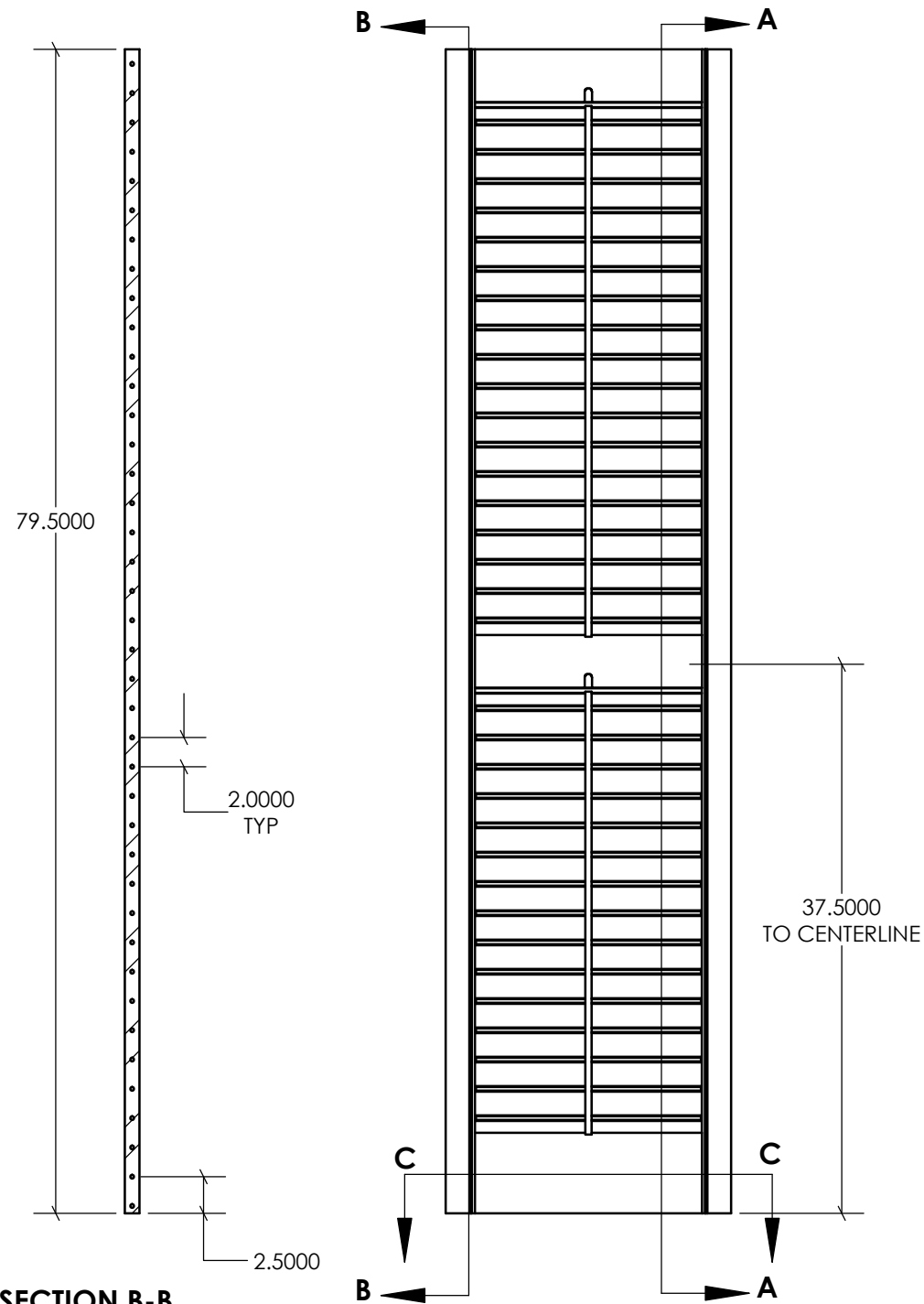
DETAIL E



DETAIL F

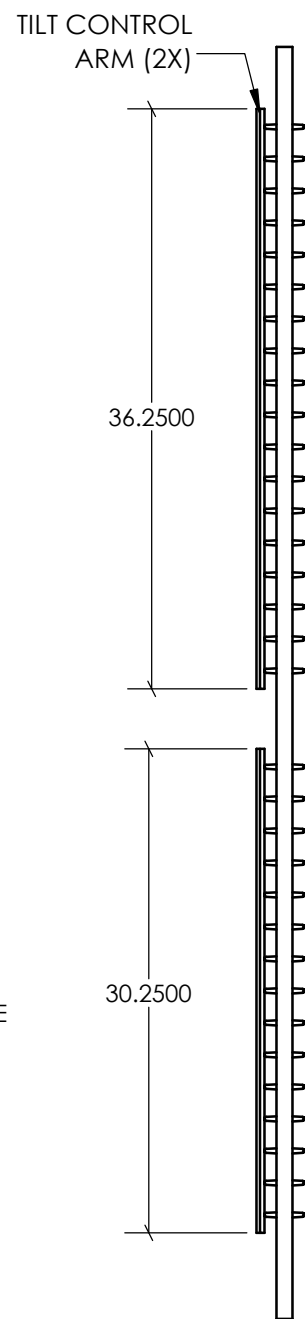
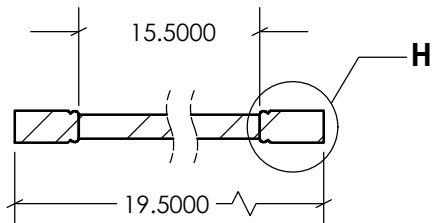


DETAIL G

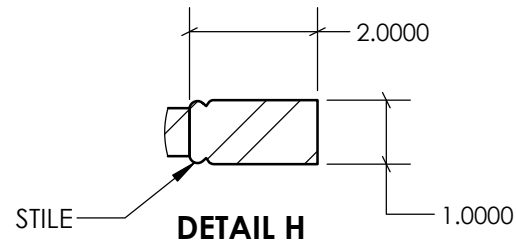


**SECTION B-B
(LOUVER HOLE LOCATIONS)**

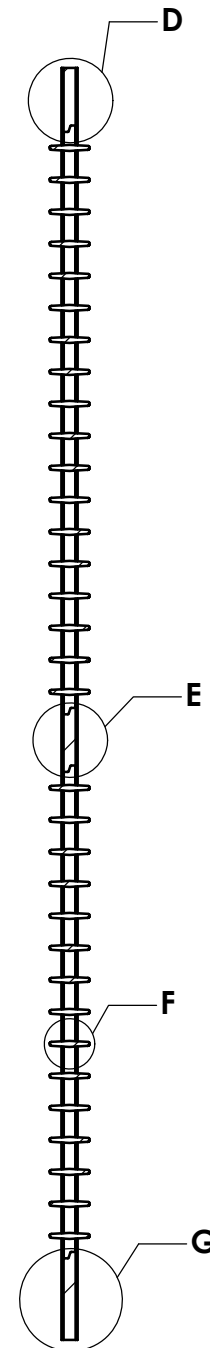
SECTION C-C



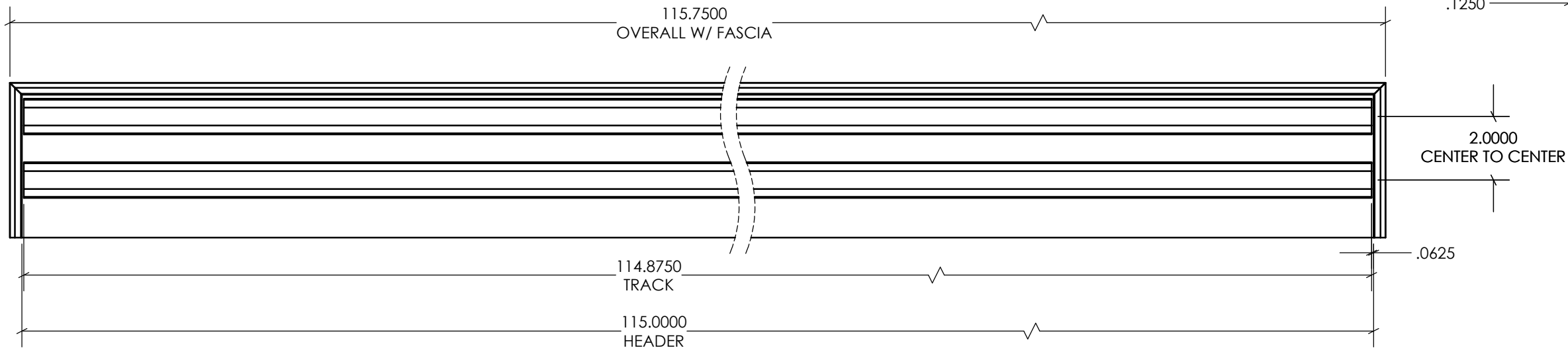
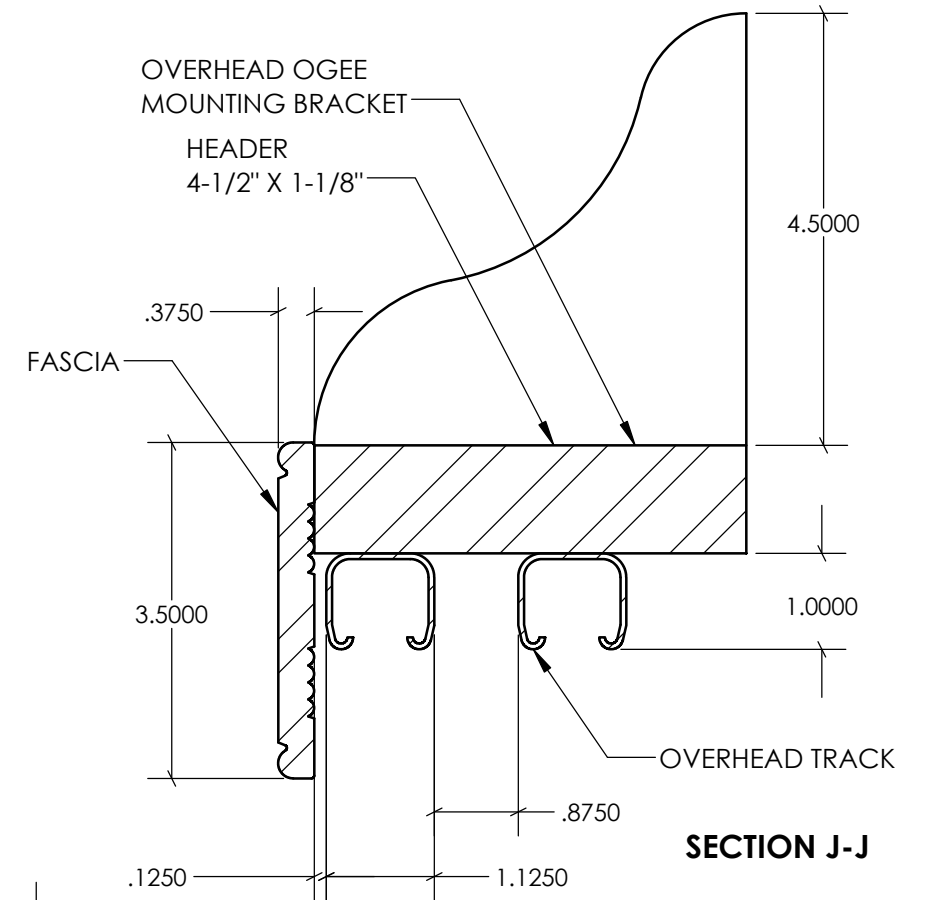
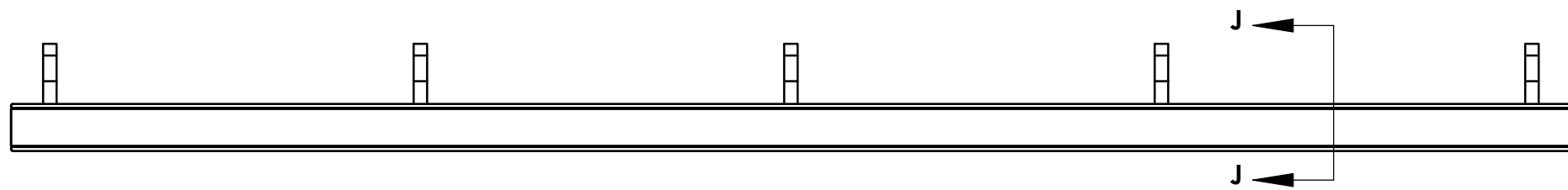
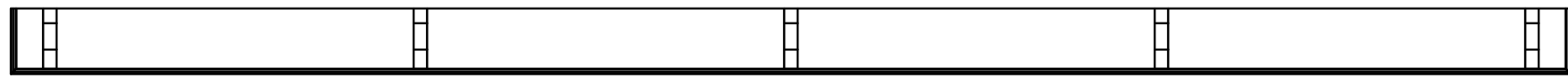
DETAIL H




SECTION A-A



UNLESS OTHERWISE SPECIFIED DIMENSIONS ARE IN INCHES TOLERANCES:		2225 Kerper Blvd. Dubuque, IA 52001 563-690-1358 p 563-557-8852 f	
		Plantation Rolling Shutter 4 Panels Moving Past Opening	
SHEET 2 OF 3	SIZE B		REV A



UNLESS OTHERWISE SPECIFIED DIMENSIONS ARE IN INCHES		2225 Kerper Blvd. Dubuque, IA 52001 563-690-1358 p 563-557-8852 f	
		Plantation Rolling Shutter 4 Panels Moving Past Opening	
TOLERANCES:			
SHEET 3 OF 3	SIZE B		REV A