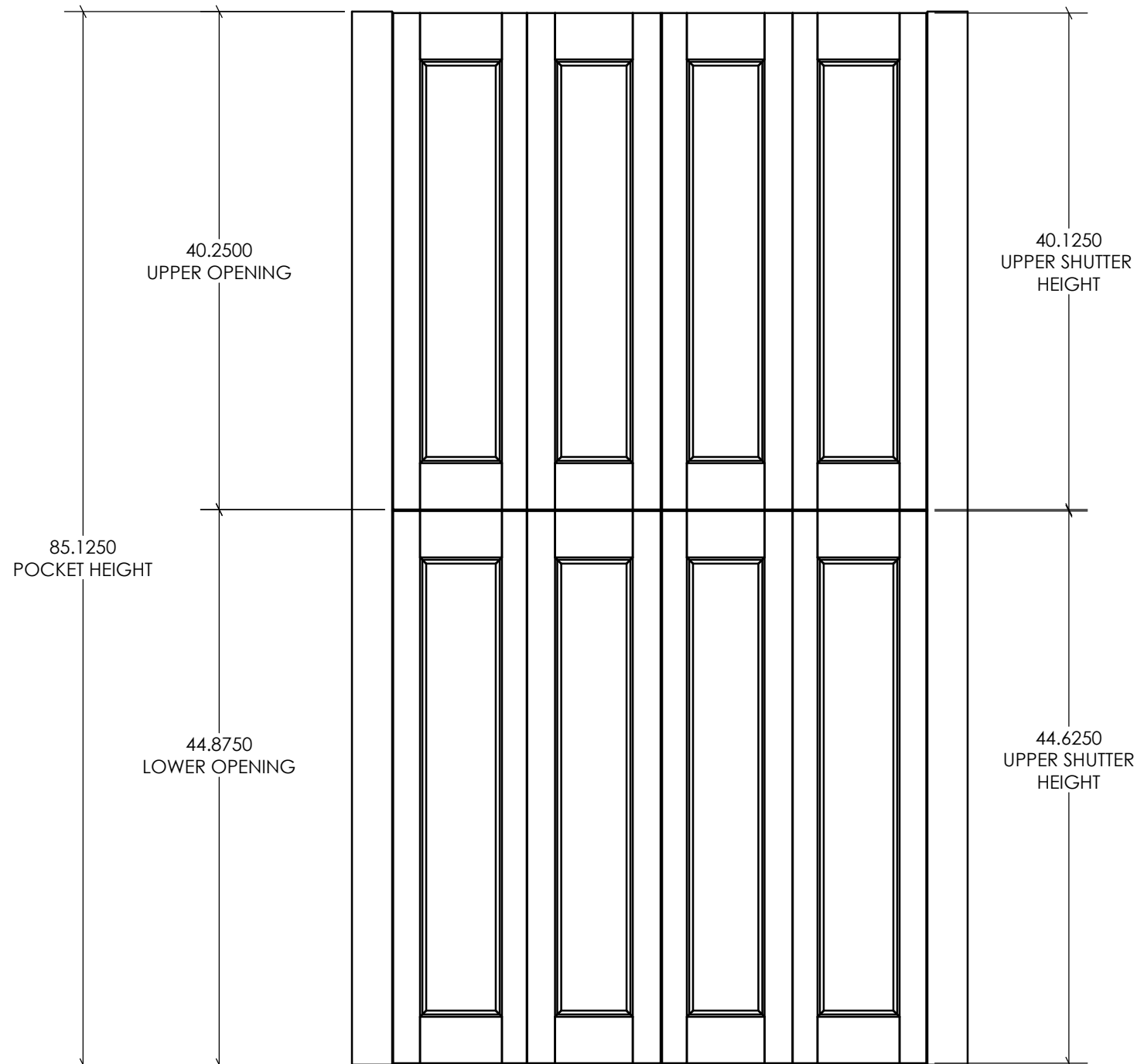
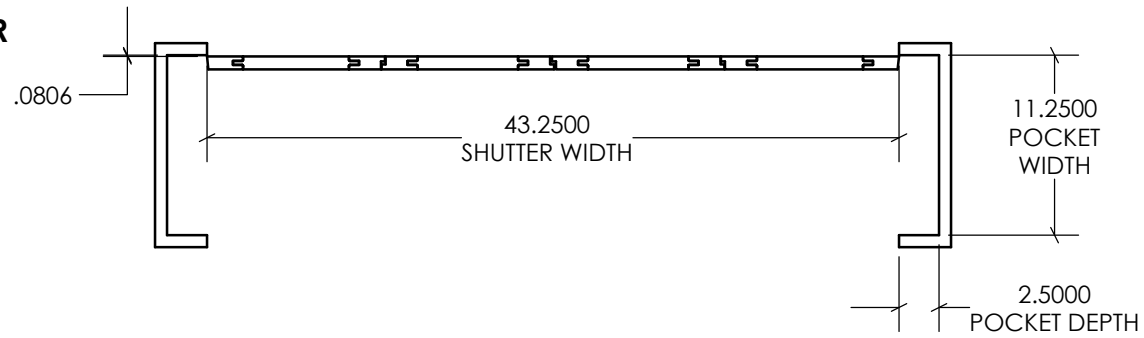
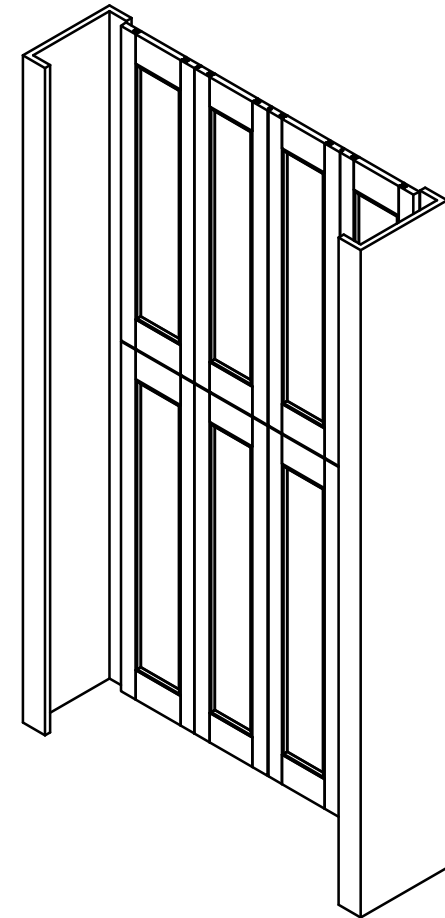


NOTES
1. PAINT TO MATCH CUSTOMER SUPPLIED COLOR



REVISIONS			
REV.	DESCRIPTION	DATE	DRAWN BY
A	INITIAL RELEASE		



Approval Signature


Date

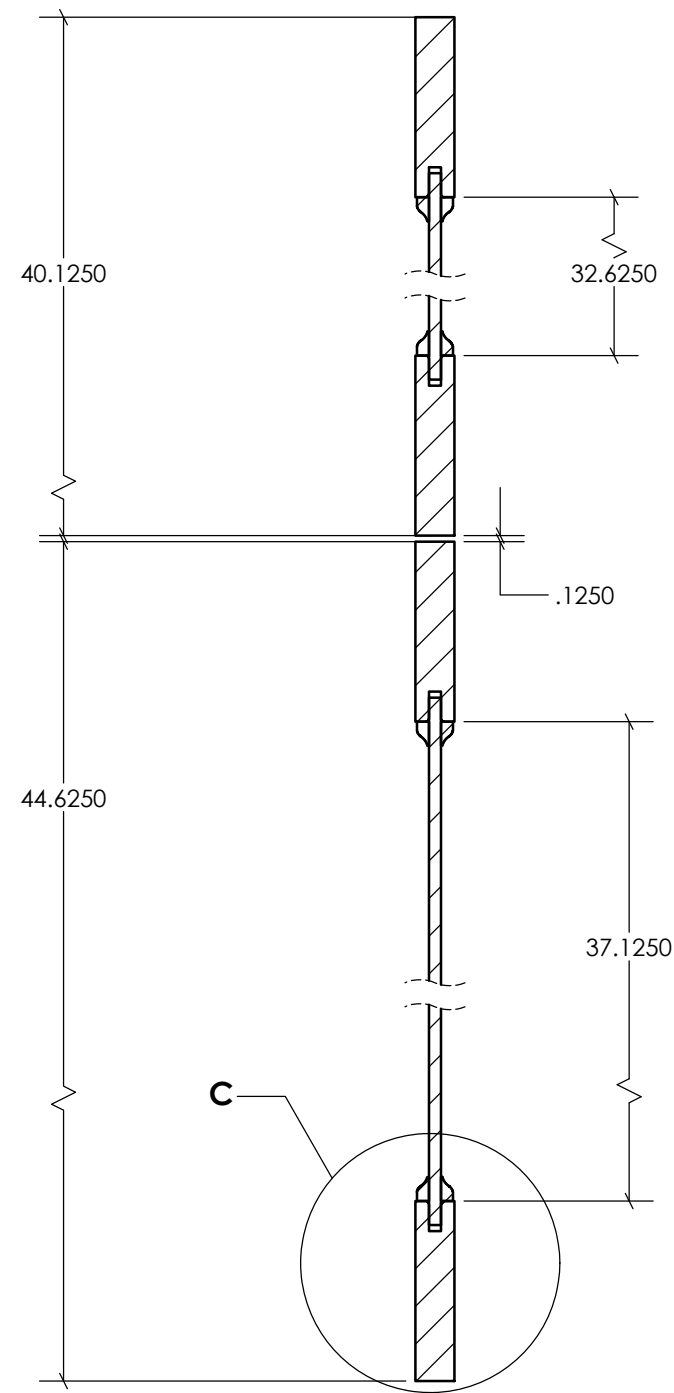
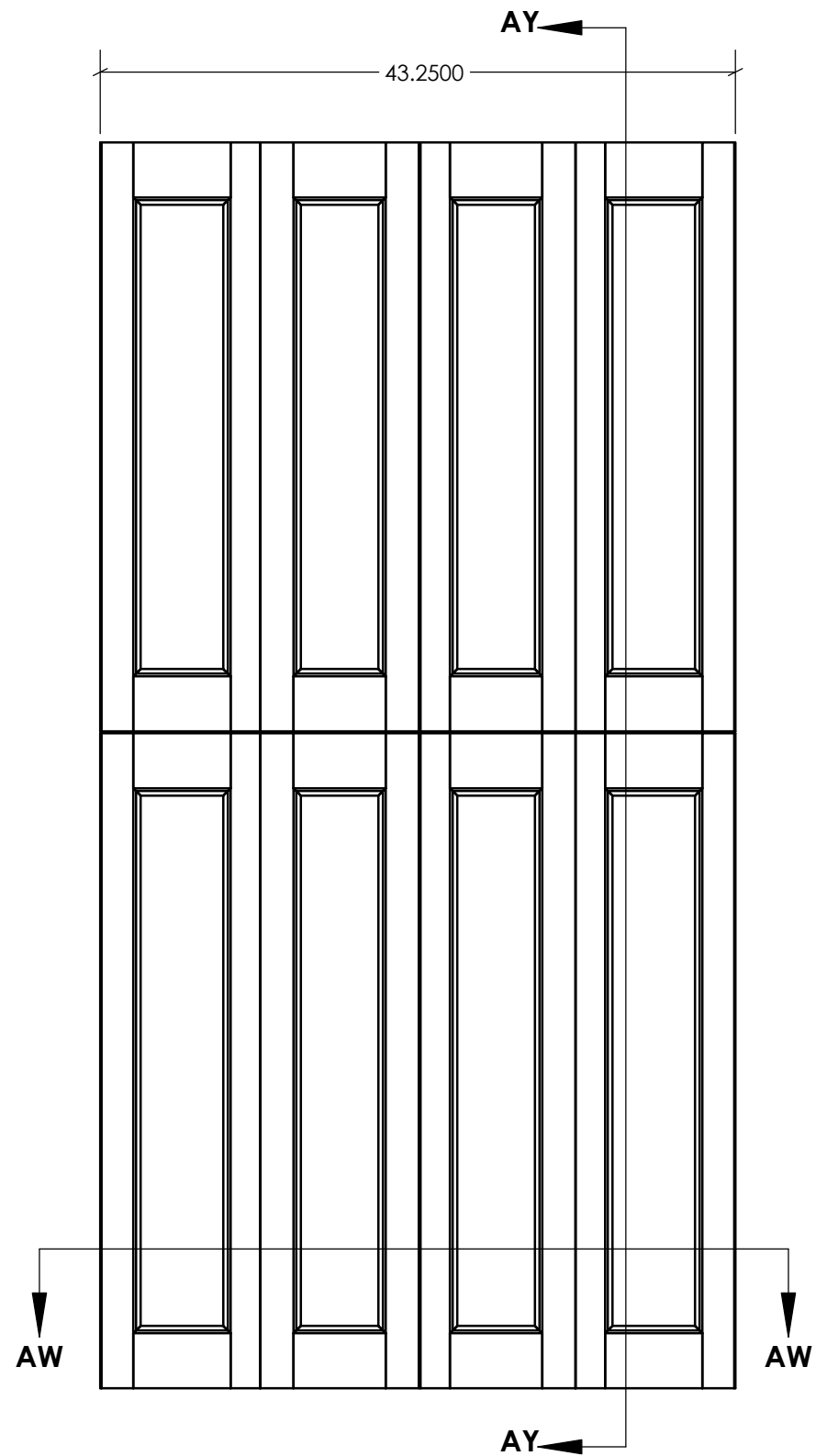
The signature (or AAN Stamp) on this print indicates the approval of the design, dimensions, and quantities shown. Authorization for this product to be manufactured is given.

*****ALL PARTS SHOWN ARE ADAMS STANDARD PROFILES*****

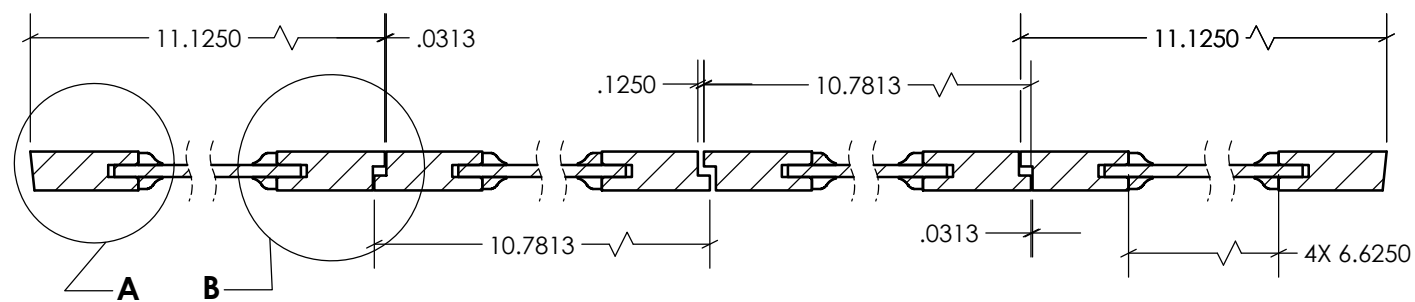
*****TWO DIMENSION REVISIONS ARE INCLUDED*****

*****ANY CHANGES TO PROFILES/PARTS WILL INCUR ADDITIONAL CHARGES*****

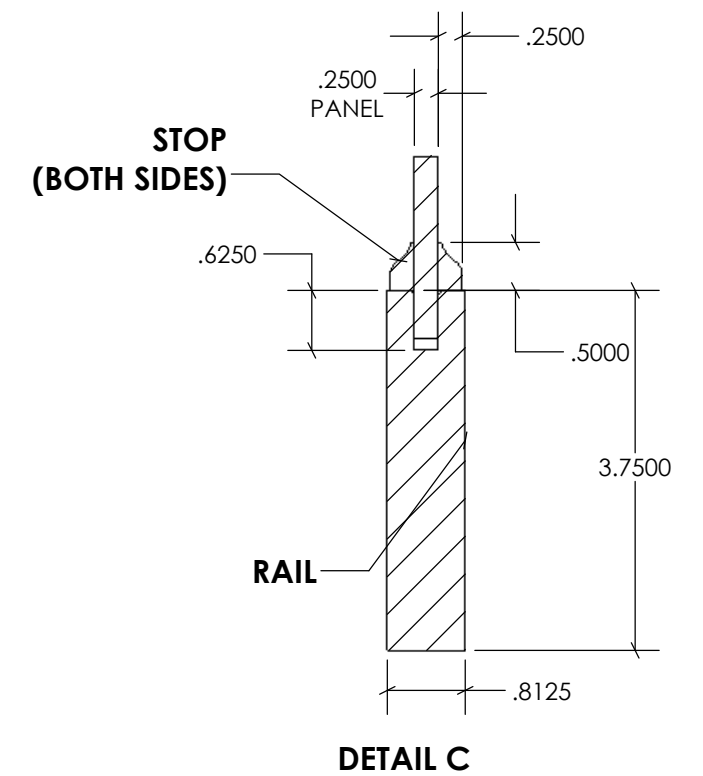
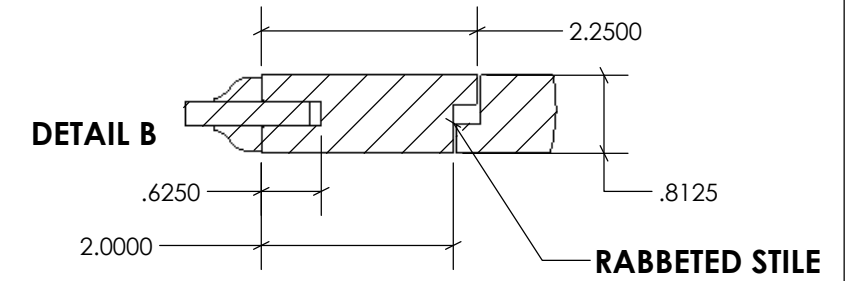
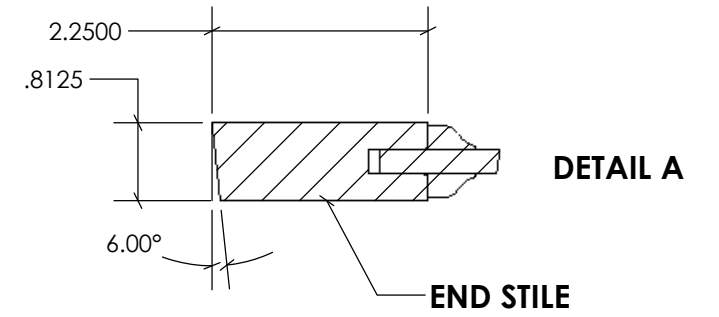
UNLESS OTHERWISE SPECIFIED DIMENSIONS ARE IN INCHES		2225 Kerper Blvd. Dubuque, IA 52001 563-690-1358 p 563-557-8852 f	
		DH Pocket Shutter 4 Leaf Bi-fold Set Flat Panel with Profile	
SHEET 1 OF 2	SIZE B		REV A



SECTION AY-AY



SECTION AW-AW



DETAIL C

UNLESS OTHERWISE SPECIFIED
DIMENSIONS ARE IN INCHES

TOLERANCES:



2225 Kerper Blvd.
Dubuque, IA 52001
563-690-1358 p
563-557-8852 f

**DH Pocket Shutter
4 Leaf Bi-fold Set
Flat Panel with Profile**

SHEET 2 OF 2

SIZE
B

REV
A