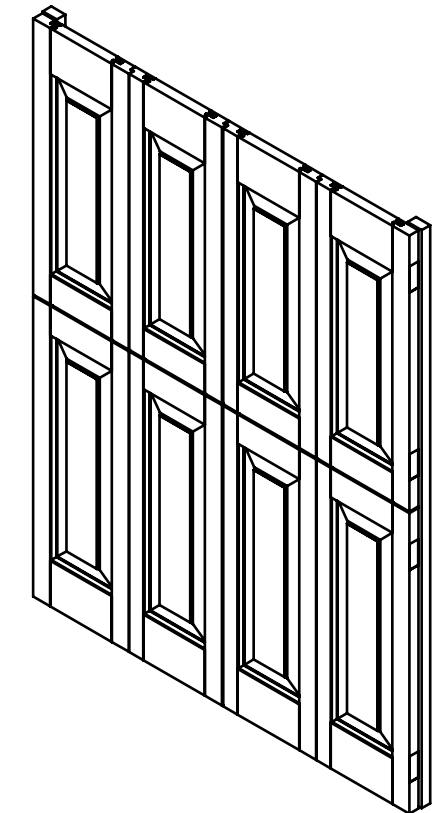
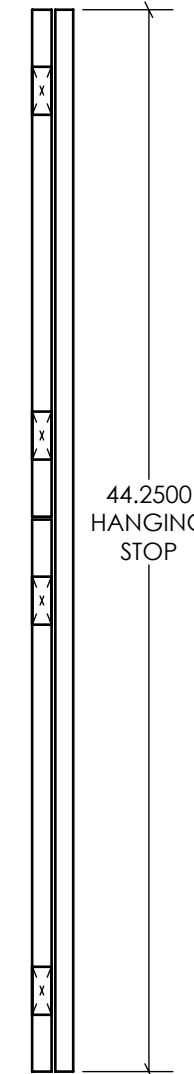
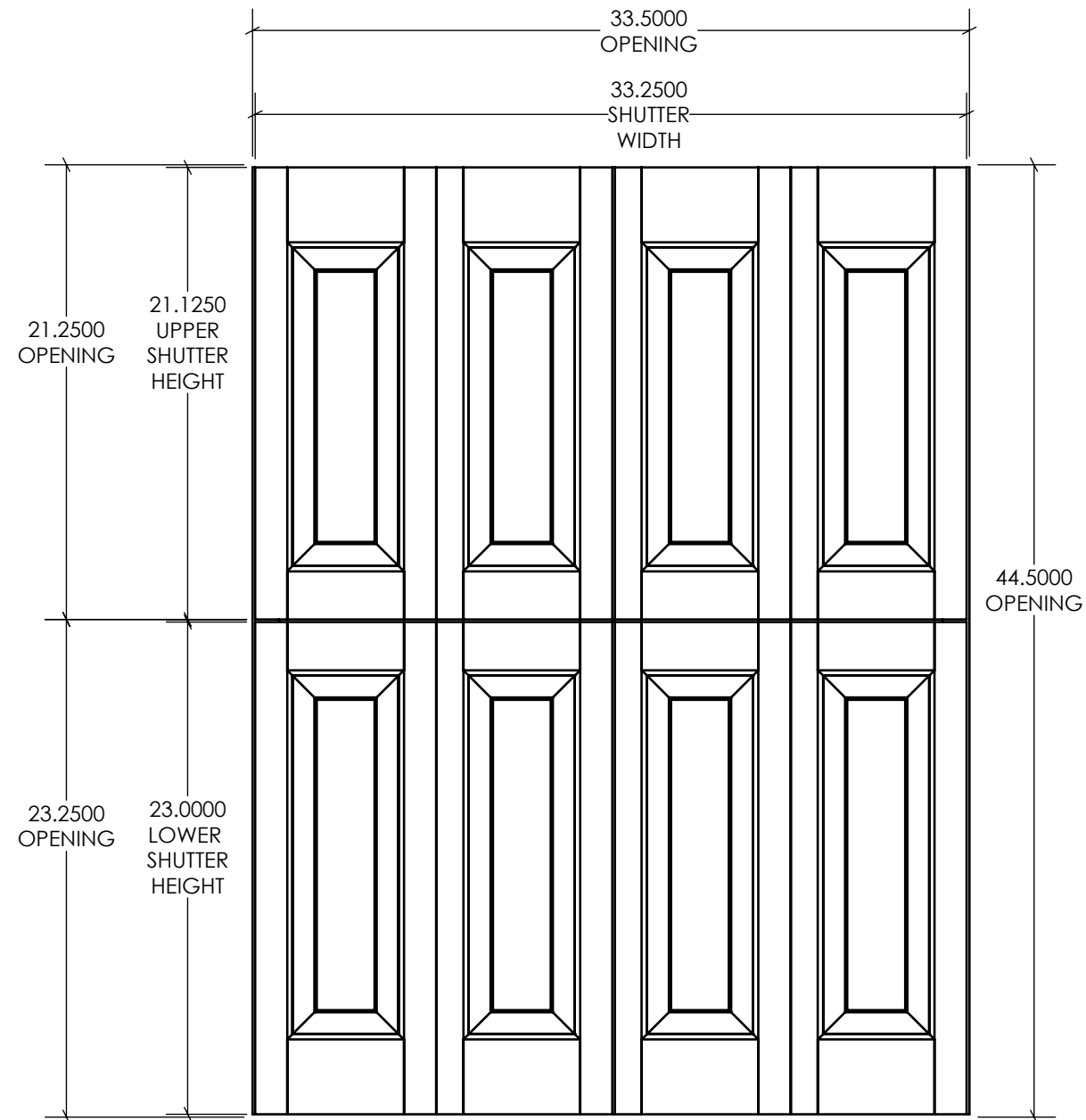


NOTES

- 1. MATERIAL: MAHOGANY
- 2. CUSTOM STAIN COLOR MATCH

REVISIONS			
REV.	DESCRIPTION	DATE	DRAWN BY
A	INITIAL RELEASE	7/21/2020	DHD



Approval Signature _____

Date _____

The signature (or AAN Stamp) on this print indicates the approval of the design, dimensions, and quantities shown. Authorization for this product to be manufactured is given.

*****ALL PARTS SHOWN ARE ADAMS STANDARD PROFILES*****

*****TWO DIMENSION REVISIONS ARE INCLUDED*****

*****ANY CHANGES TO PROFILES/PARTS WILL INCUR ADDITIONAL CHARGES*****

UNLESS OTHERWISE SPECIFIED
DIMENSIONS ARE IN INCHES

TOLERANCES:



2225 Kerper Blvd.
Dubuque, IA 52001
563-690-1358 p
563-557-8852 f

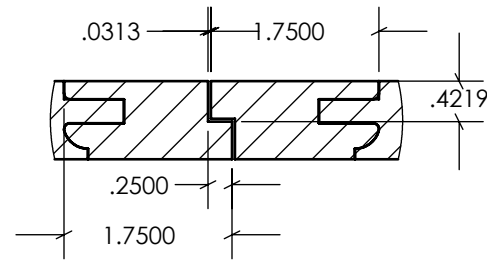
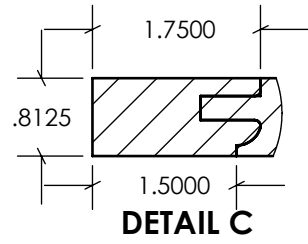
**Raised Panel Double Hung Shutters
4 Leaf Bi-fold Set**

SHEET 1 OF 3

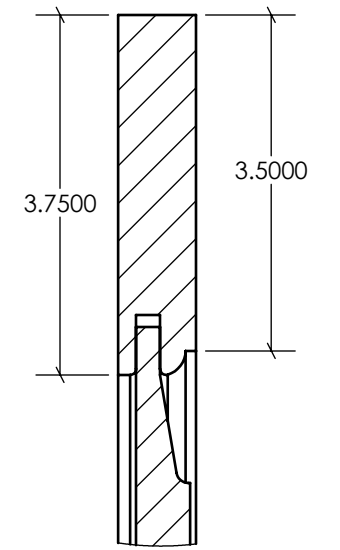
SIZE
B

REV
A

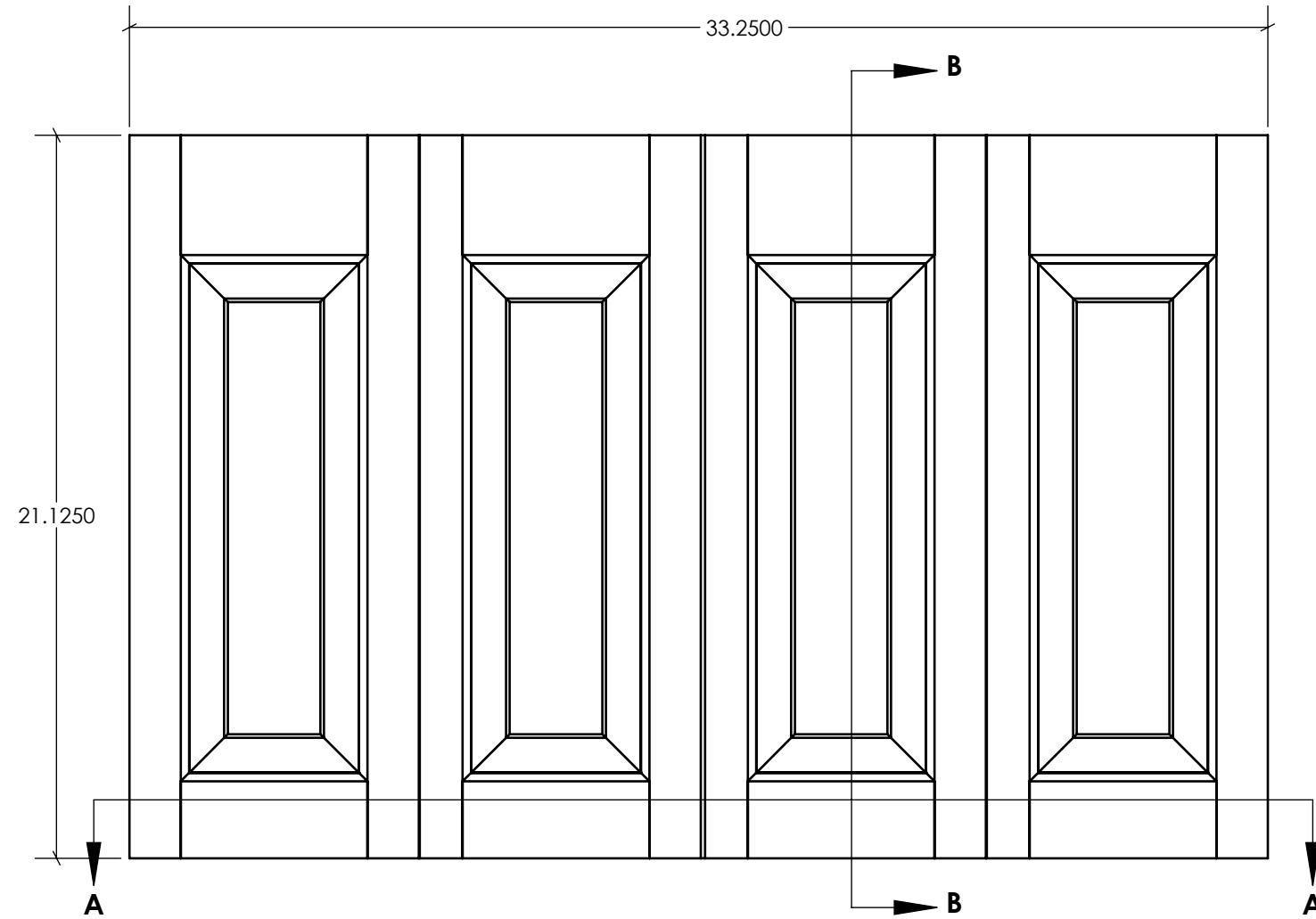
UPPER SHUTTERS (4 RAISED PANELS)



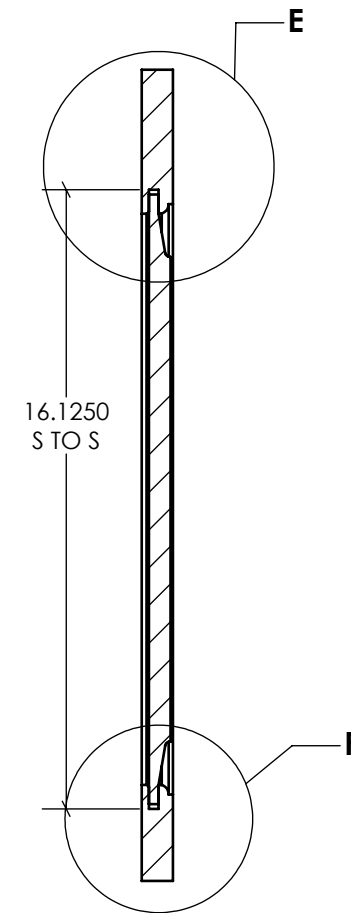
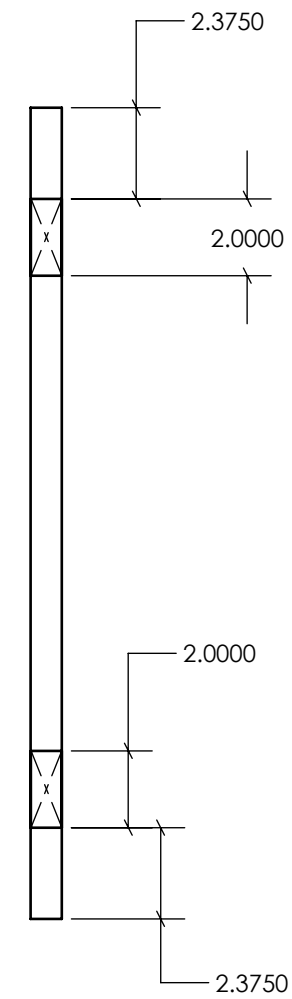
DETAIL D



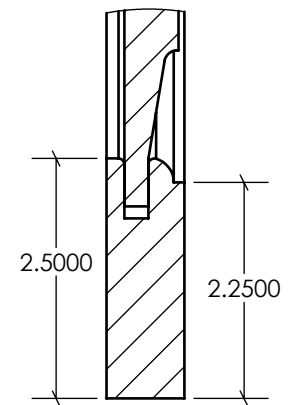
DETAIL E



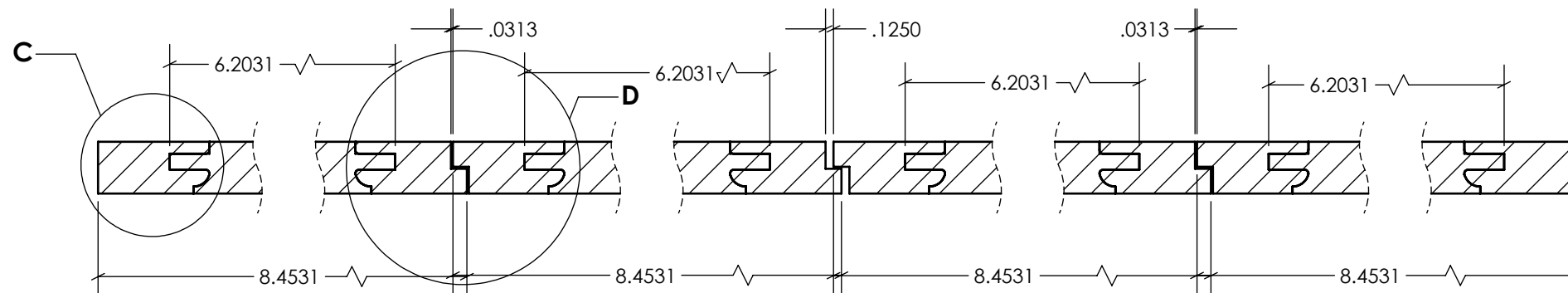
HINGE DETAIL



SECTION B-B



DETAIL F



SECTION A-A

UNLESS OTHERWISE SPECIFIED
DIMENSIONS ARE IN INCHES

TOLERANCES:



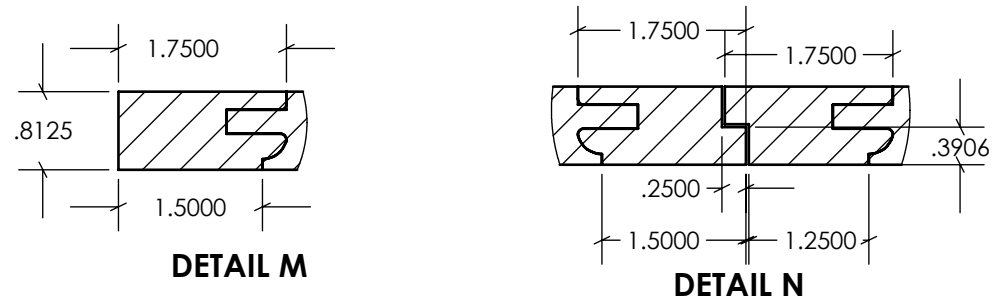
2225 Kerper Blvd.
Dubuque, IA 52001
563-690-1358 p
563-557-8852 f

**Raised Panel Double Hung Shutter
4 Leaf Bi-fold Set**

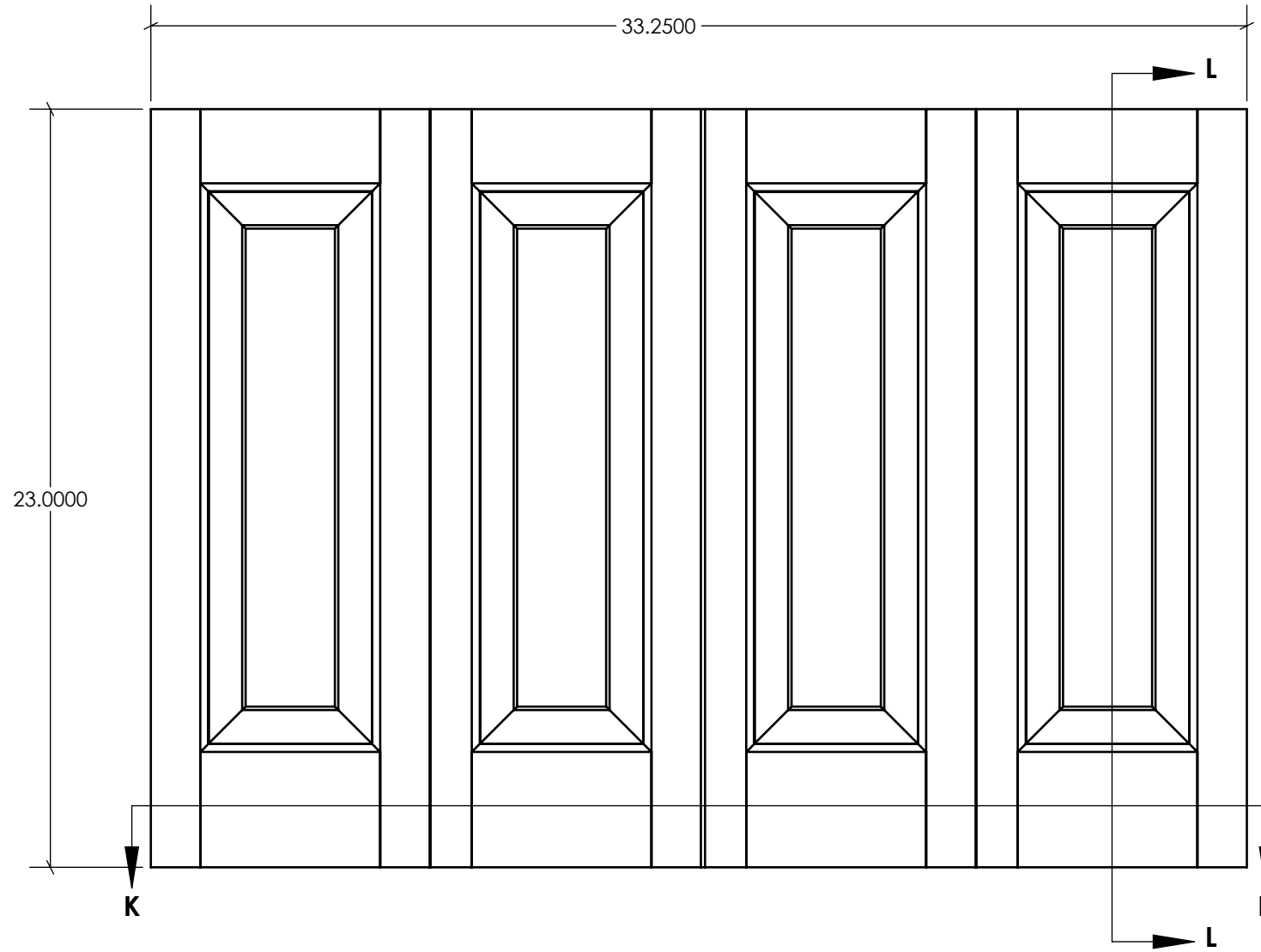
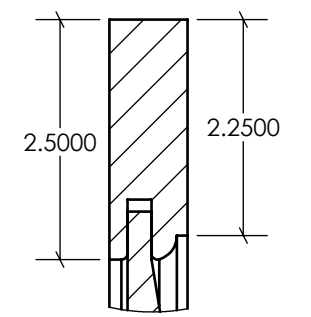
SHEET 2 OF 3

SIZE
B

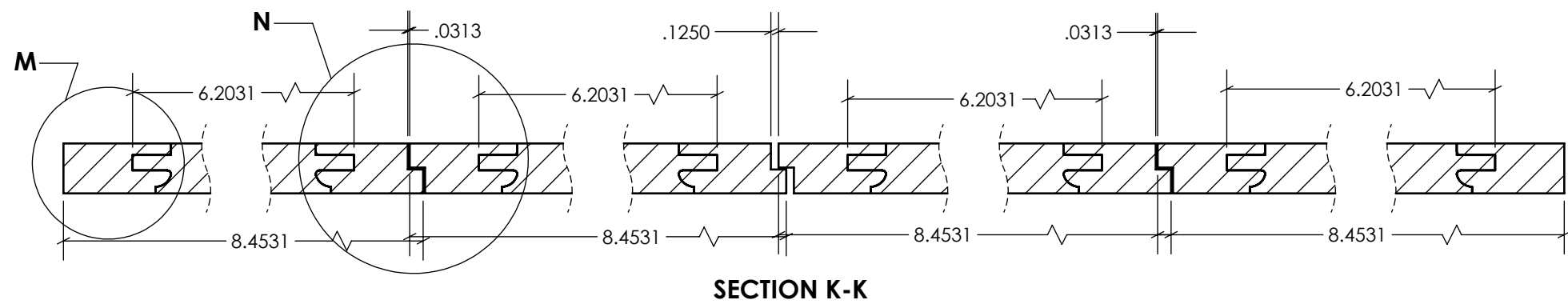
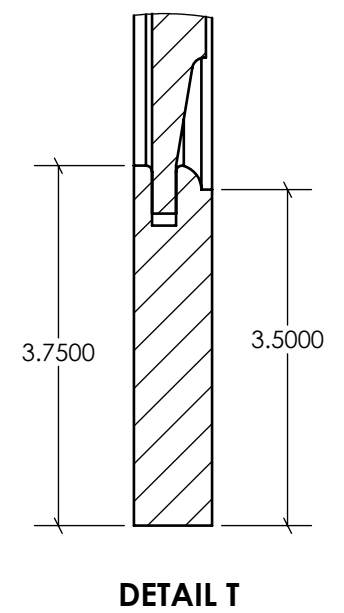
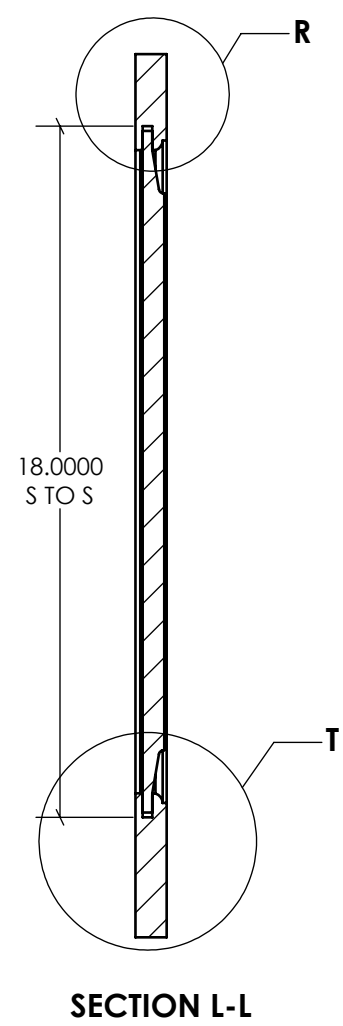
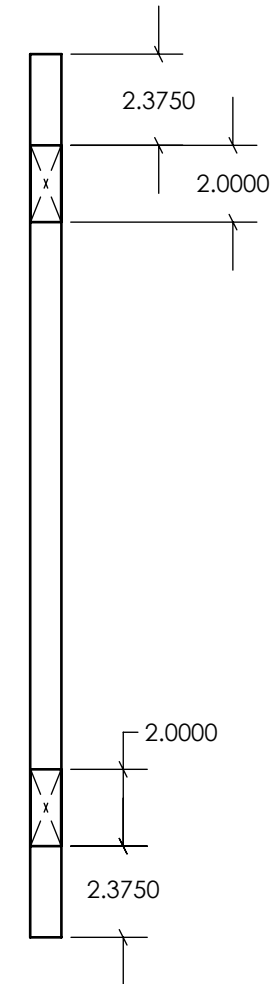
REV
A



LOWER SHUTTERS (4 RAISED PANELS)



HINGE DETAIL



UNLESS OTHERWISE SPECIFIED DIMENSIONS ARE IN INCHES TOLERANCES:	 2225 Kerper Blvd. Dubuque, IA 52001 563-690-1358 p 563-557-8852 f	
	Raised Panel Double Hung Shutter 4 Leaf Bi-fold Set	
SHEET 3 OF 3	SIZE B	REV A