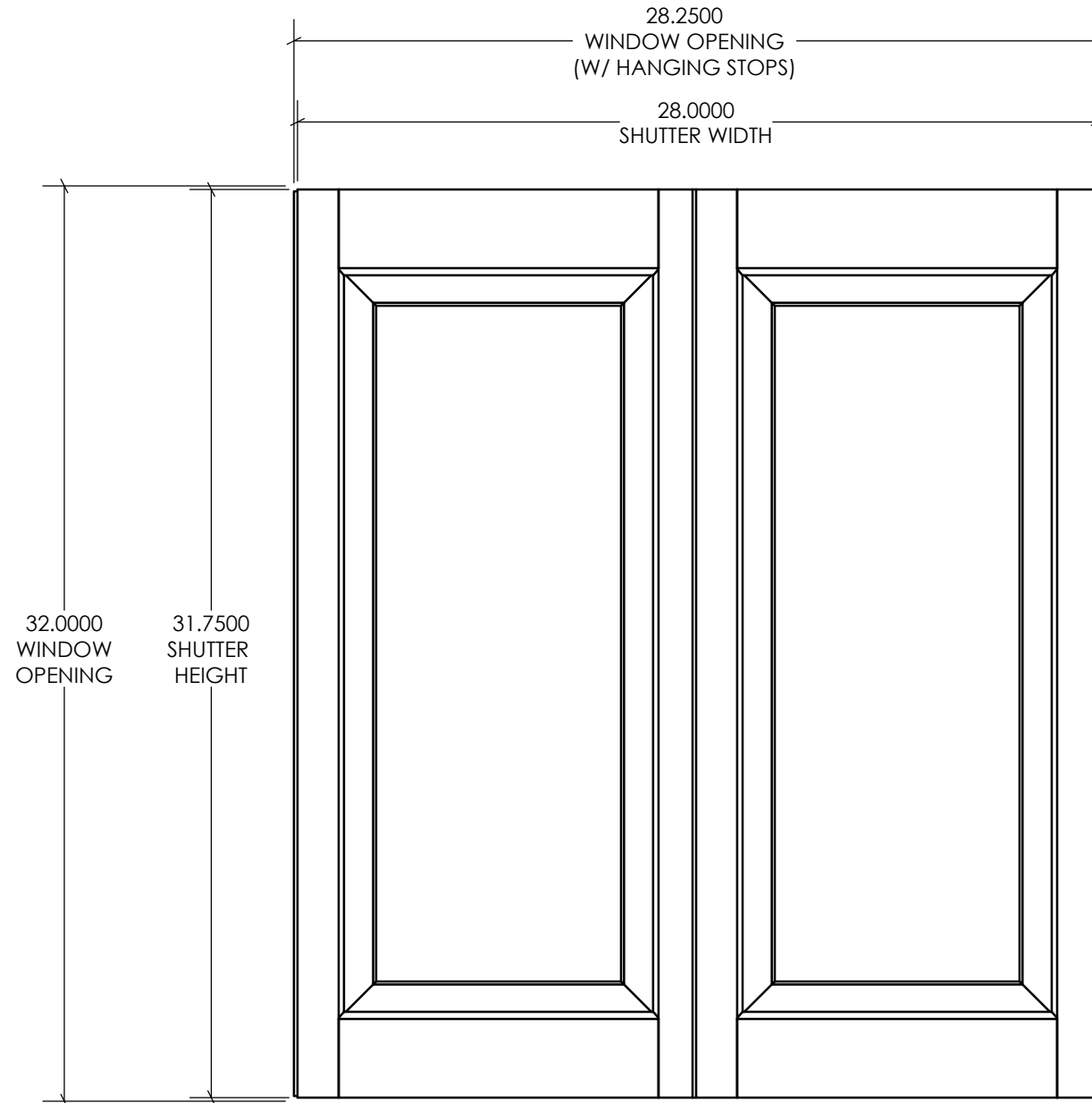
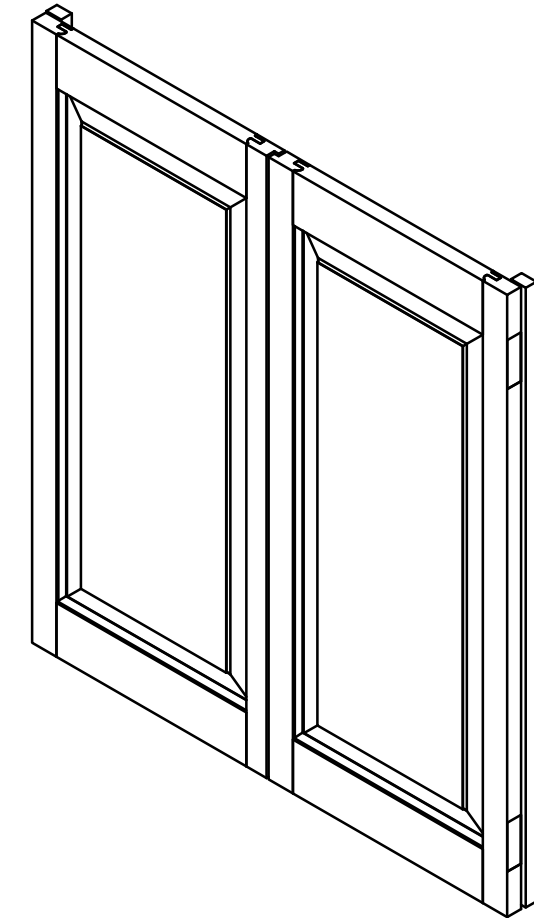


NOTES

1. RAW TO BE FINISHED BY OTHERS



REVISIONS			
REV.	DESCRIPTION	DATE	DRAWN BY
A	INITIAL RELEASE		




Approval Signature

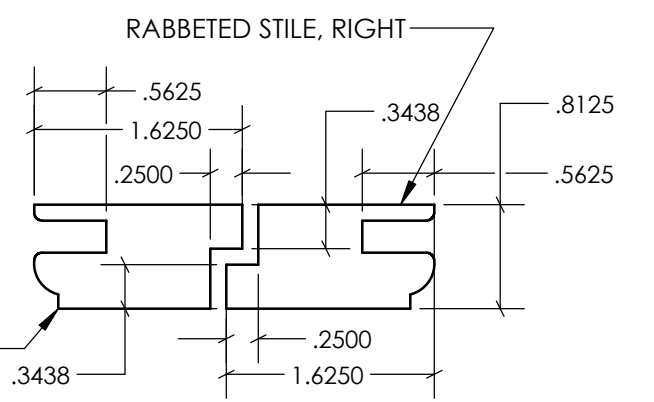
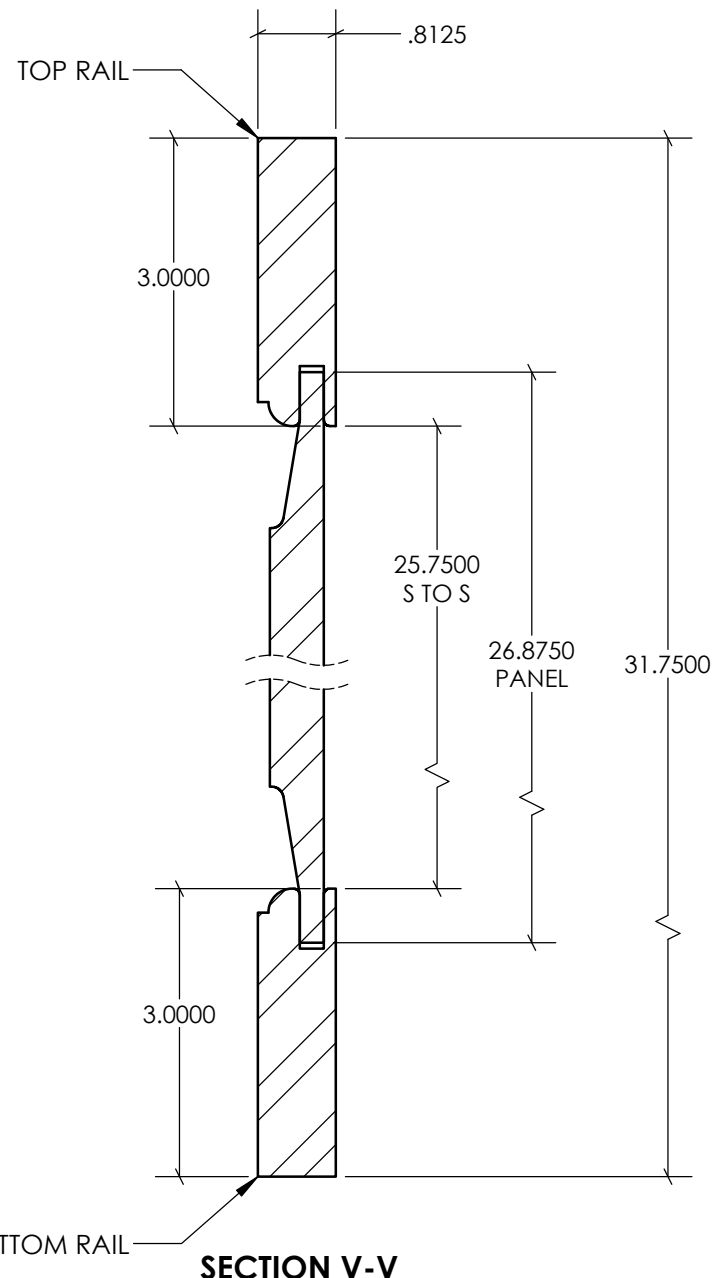
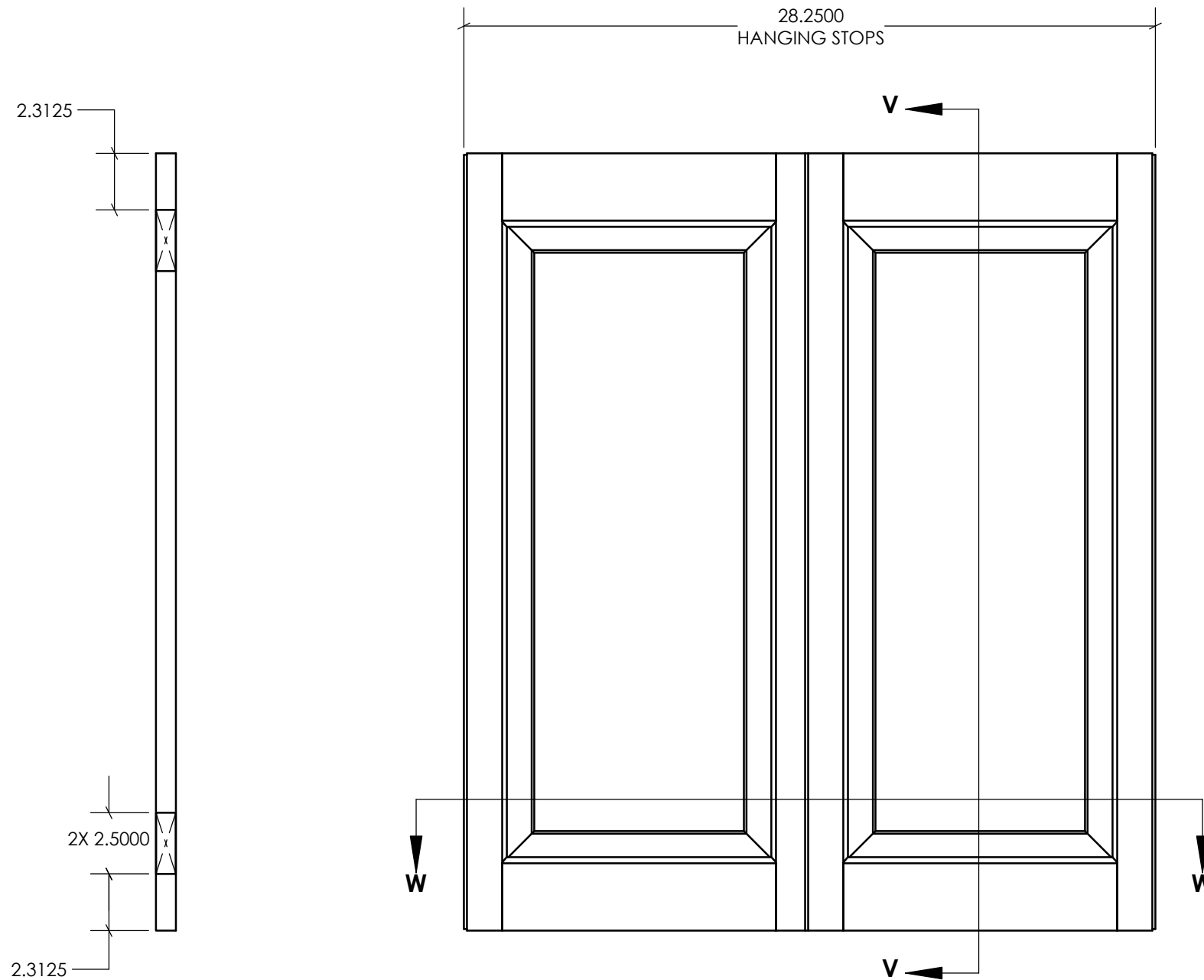
Date

The signature (or AAN Stamp) on this print indicates the approval of the design, dimensions, and quantities shown. Authorization for this product to be manufactured is given.

*****ALL PARTS SHOWN ARE ADAMS STANDARD PROFILES*****
*****TWO DIMENSION REVISIONS ARE INCLUDED*****

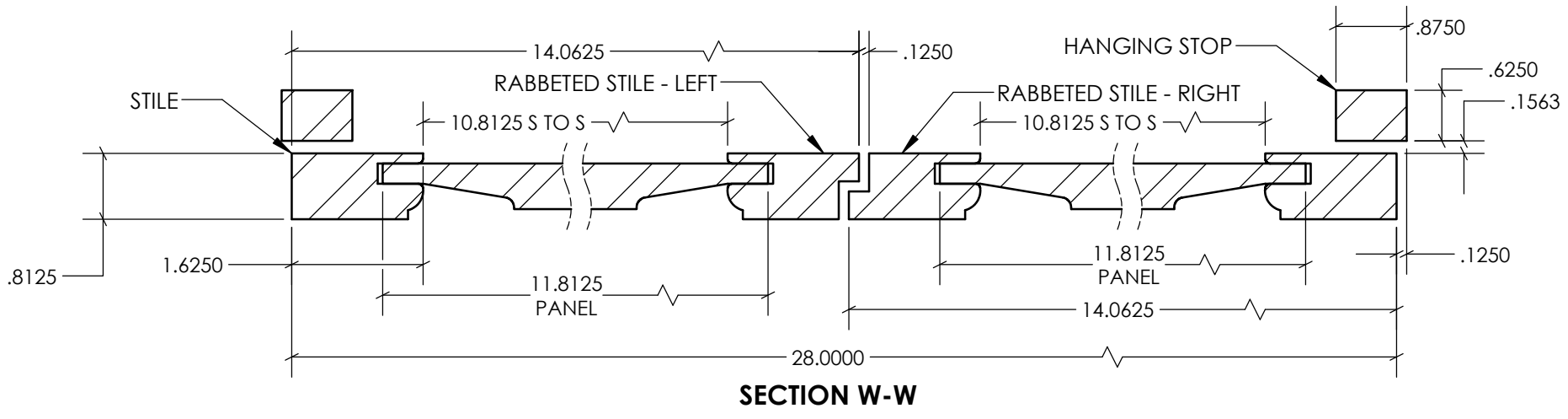
*****ANY CHANGES TO PROFILES/PARTS WILL INCUR ADDITIONAL CHARGES*****

UNLESS OTHERWISE SPECIFIED DIMENSIONS ARE IN INCHES		2225 Kerper Blvd. Dubuque, IA 52001 563-690-1358 p 563-557-8852 f	
		Raised Panel Shutter 2 Leaf Set	
TOLERANCES:			
SHEET 1 OF 2	SIZE B		REV A




HINGE LOCATIONS

SECTION V-V



SECTION W-W

UNLESS OTHERWISE SPECIFIED DIMENSIONS ARE IN INCHES TOLERANCES:		2225 Kerper Blvd. Dubuque, IA 52001 563-690-1358 p 563-557-8852 f	
		Raised Panel Shutter 2 Leaf Set	
SHEET 2 OF 2	SIZE B		REV A