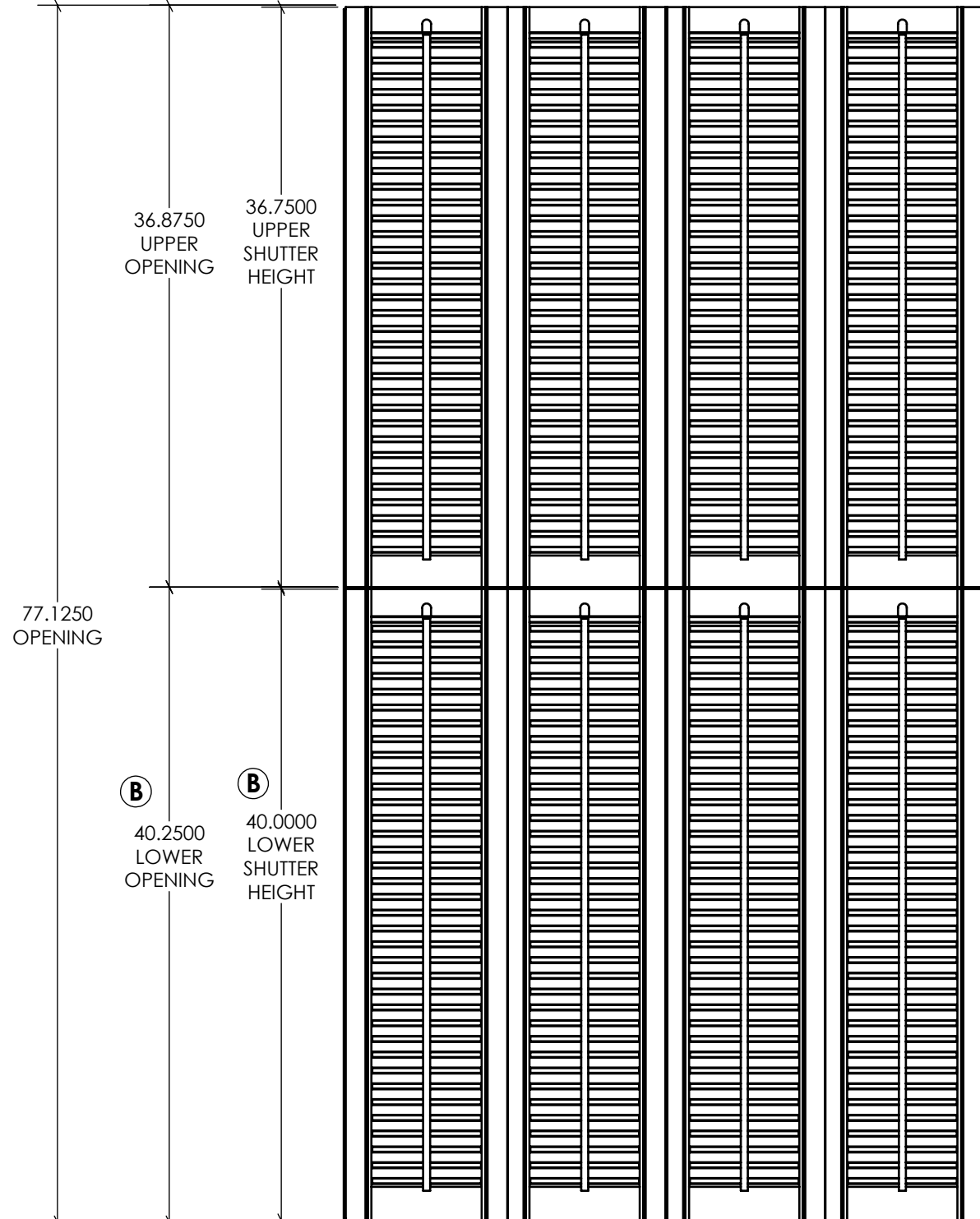
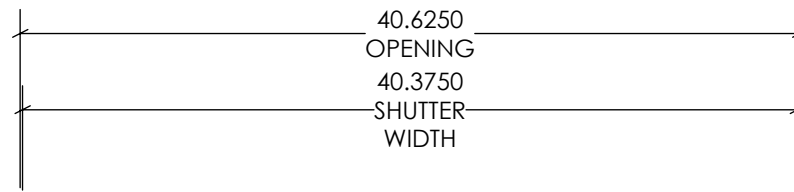
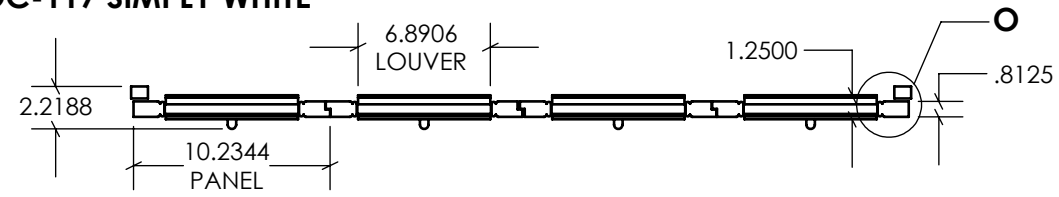
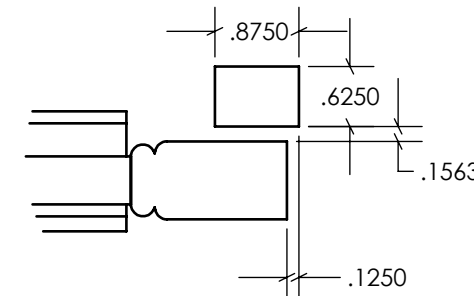


NOTES

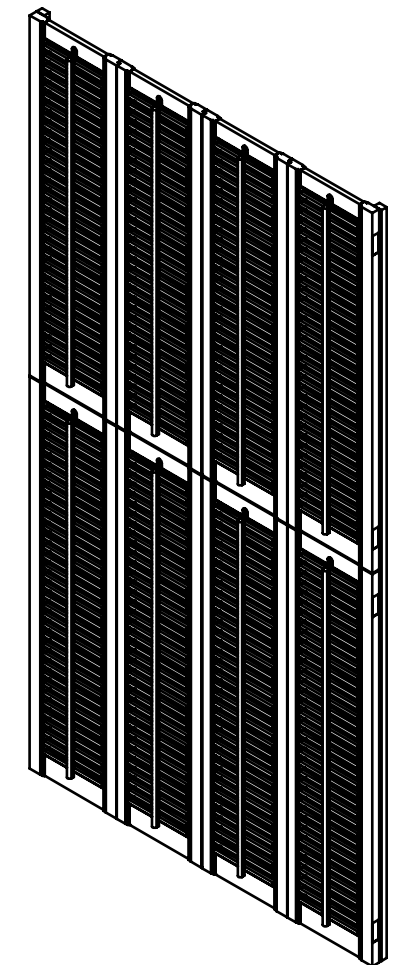
1. PAINT COLOR: BENJAMIN MOORE OC-117 SIMPLY WHITE



REVISIONS			
REV.	DESCRIPTION	DATE	DRAWN BY
A	INITIAL RELEASE		
B	CORRECT SIZING		



DETAIL O




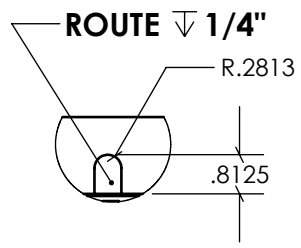
Approval Signature _____

Date _____

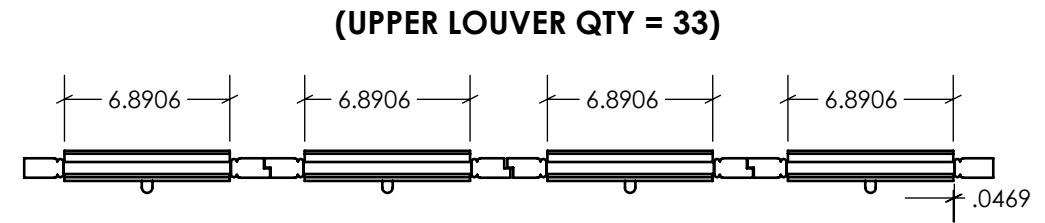
The signature (or AAN Stamp) on this print indicates the approval of the design, dimensions, and quantities shown. Authorization for this product to be manufactured is given.

*****ALL PARTS SHOWN ARE ADAMS STANDARD PROFILES*****
*****TWO DIMENSION REVISIONS ARE INCLUDED*****
*****ANY CHANGES TO PROFILES/PARTS WILL INCUR ADDITIONAL CHARGES*****

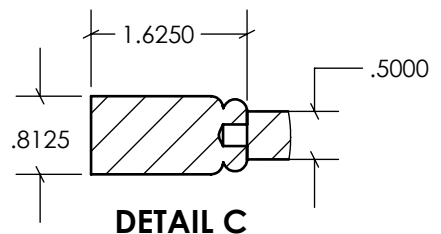
UNLESS OTHERWISE SPECIFIED DIMENSIONS ARE IN INCHES		2225 Kerper Blvd. Dubuque, IA 52001 563-690-1358 p 563-557-8852 f	
		Traditional Louvered Shutter 4 Leaf Bi-fold Set	
TOLERANCES:			
SHEET 1 OF 3	SIZE B		REV B



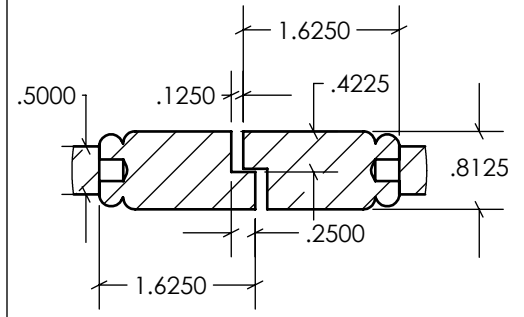
DETAIL E



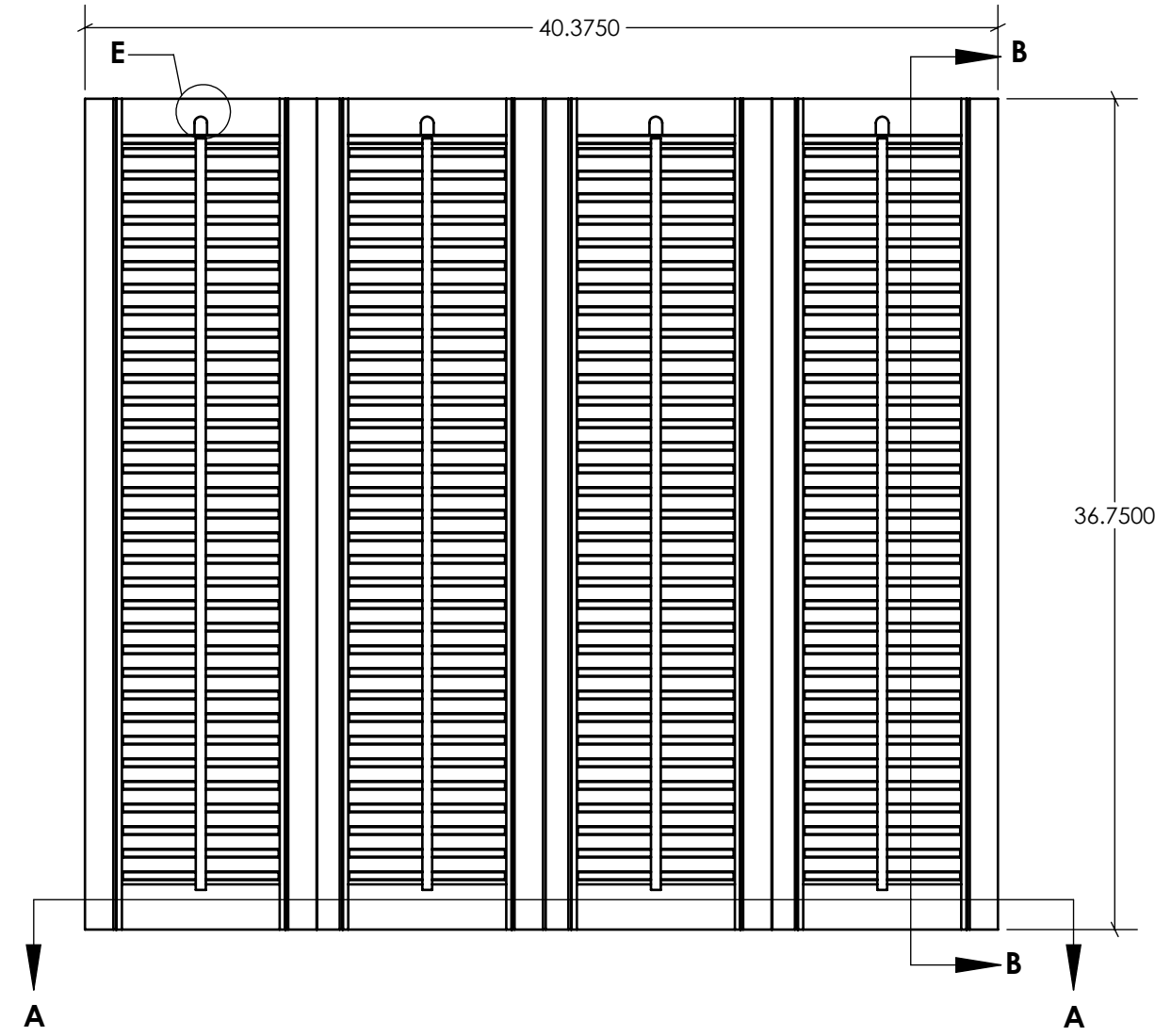
(UPPER LOUVER QTY = 33)



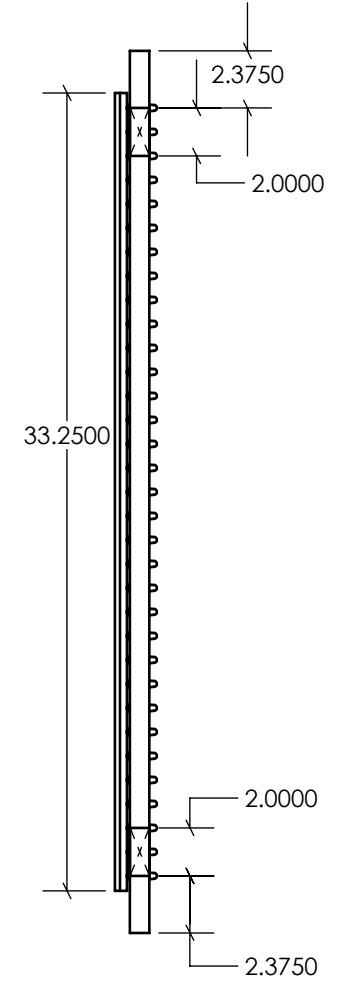
DETAIL C



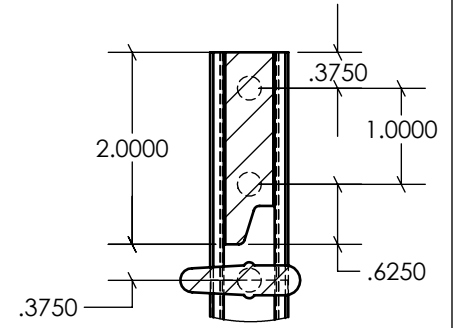
DETAIL D



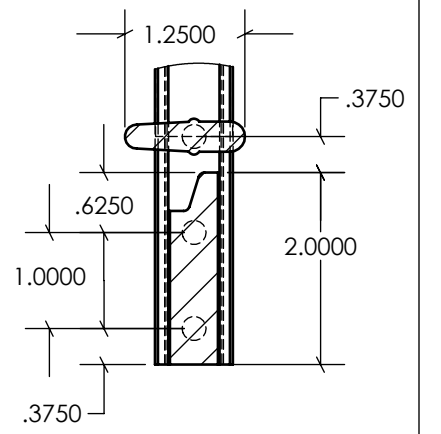
HINGE LOCATION AND TILT CONTROL ROD DETAIL



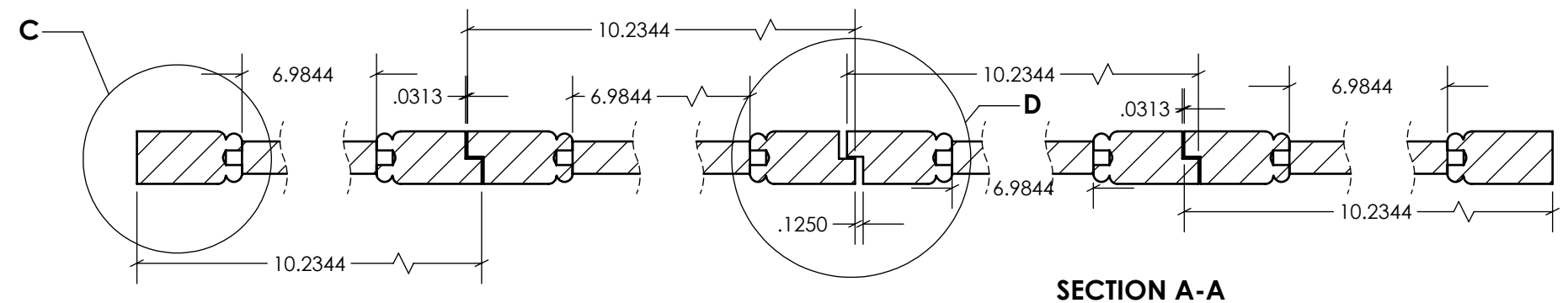
SECTION B-B



DETAIL F

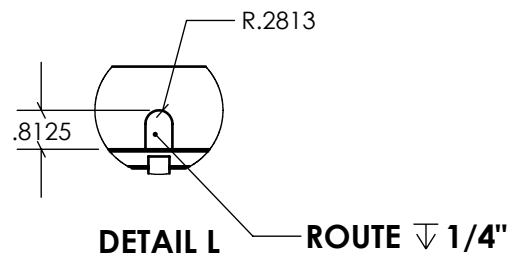


DETAIL G

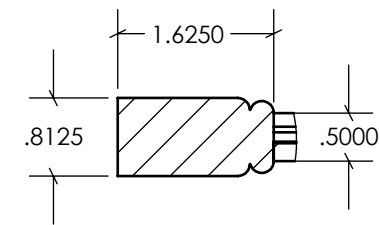
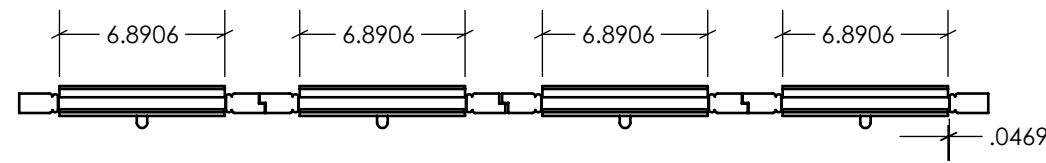


SECTION A-A

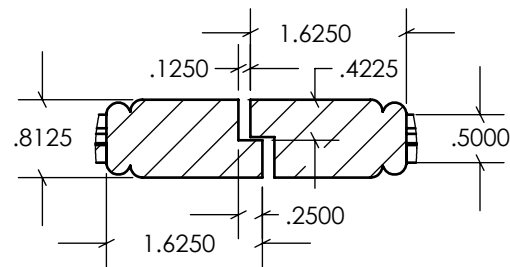
UNLESS OTHERWISE SPECIFIED DIMENSIONS ARE IN INCHES TOLERANCES:		2225 Kerper Blvd. Dubuque, IA 52001 563-690-1358 p 563-557-8852 f	
		Traditional Louvered Shutter 4 Leaf Bi-fold Set	
SHEET 2 OF 3	SIZE B	REV B	



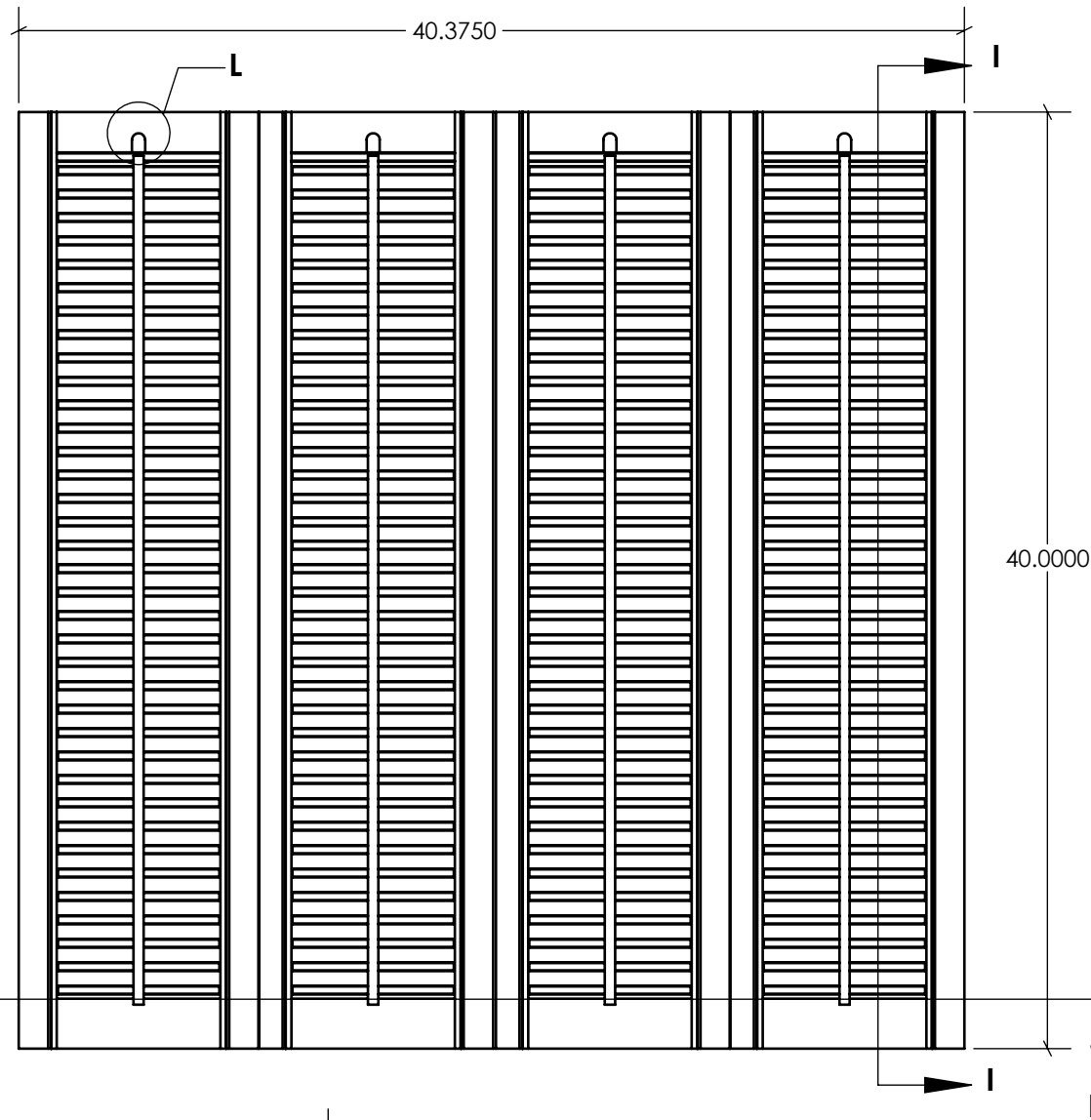
(LOWER LOUVER QTY = 36)



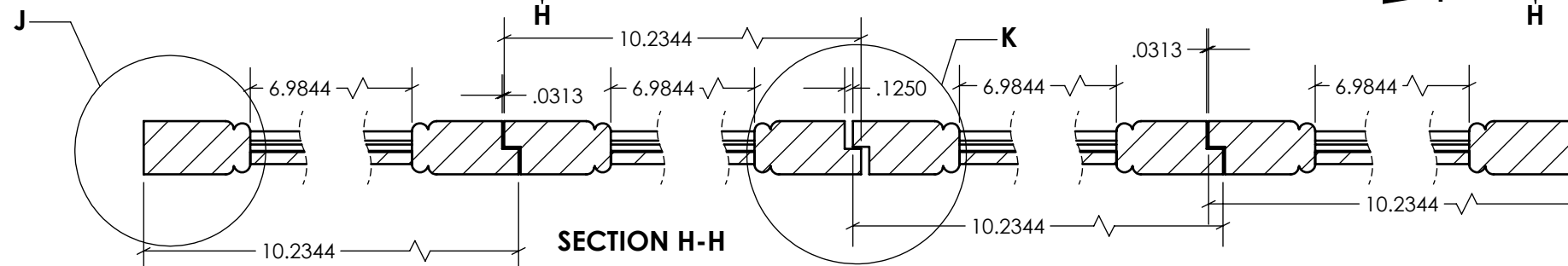
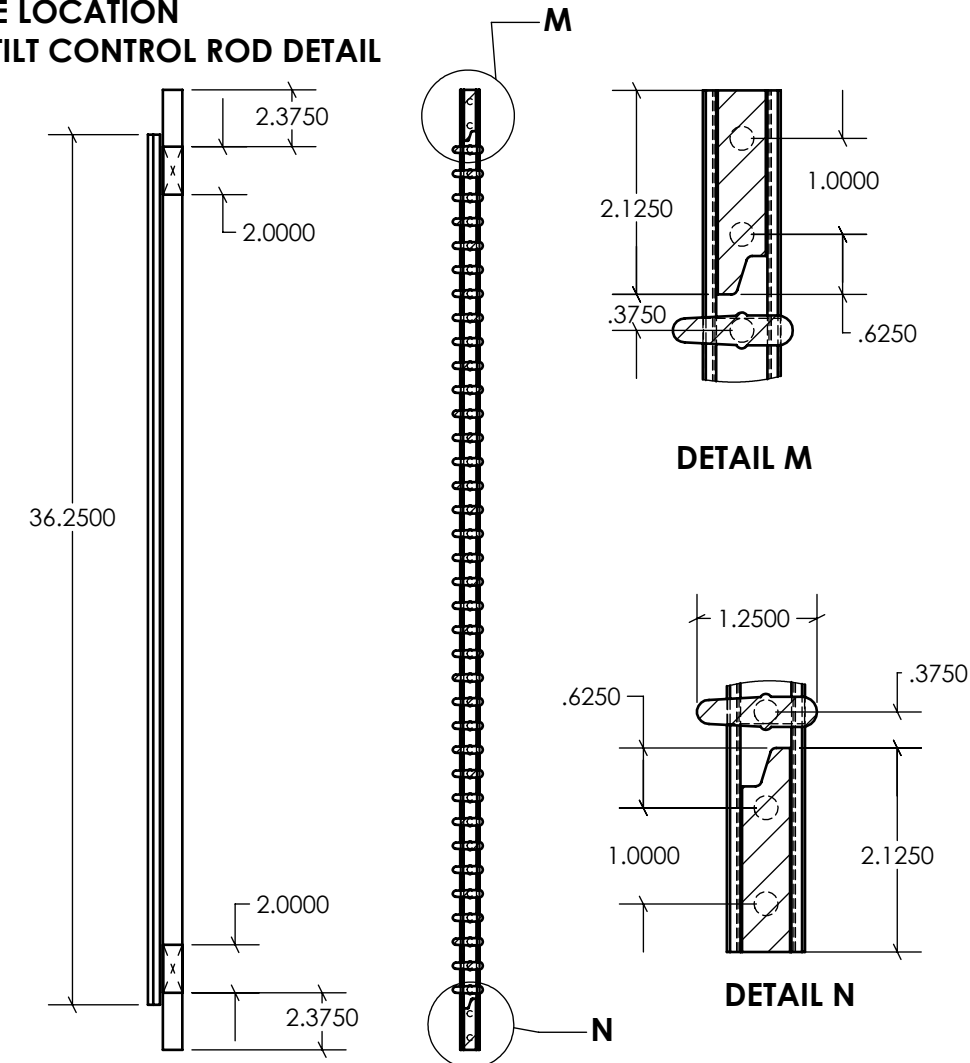
DETAIL J



DETAIL K



HINGE LOCATION AND TILT CONTROL ROD DETAIL



SECTION H-H

UNLESS OTHERWISE SPECIFIED
DIMENSIONS ARE IN INCHES

TOLERANCES:



2225 Kerper Blvd.
Dubuque, IA 52001
563-690-1358 p
563-557-8852 f

Traditional Louvered Shutter
4 Leaf Bi-fold Set

SHEET 3 OF 3

SIZE
B

REV
B