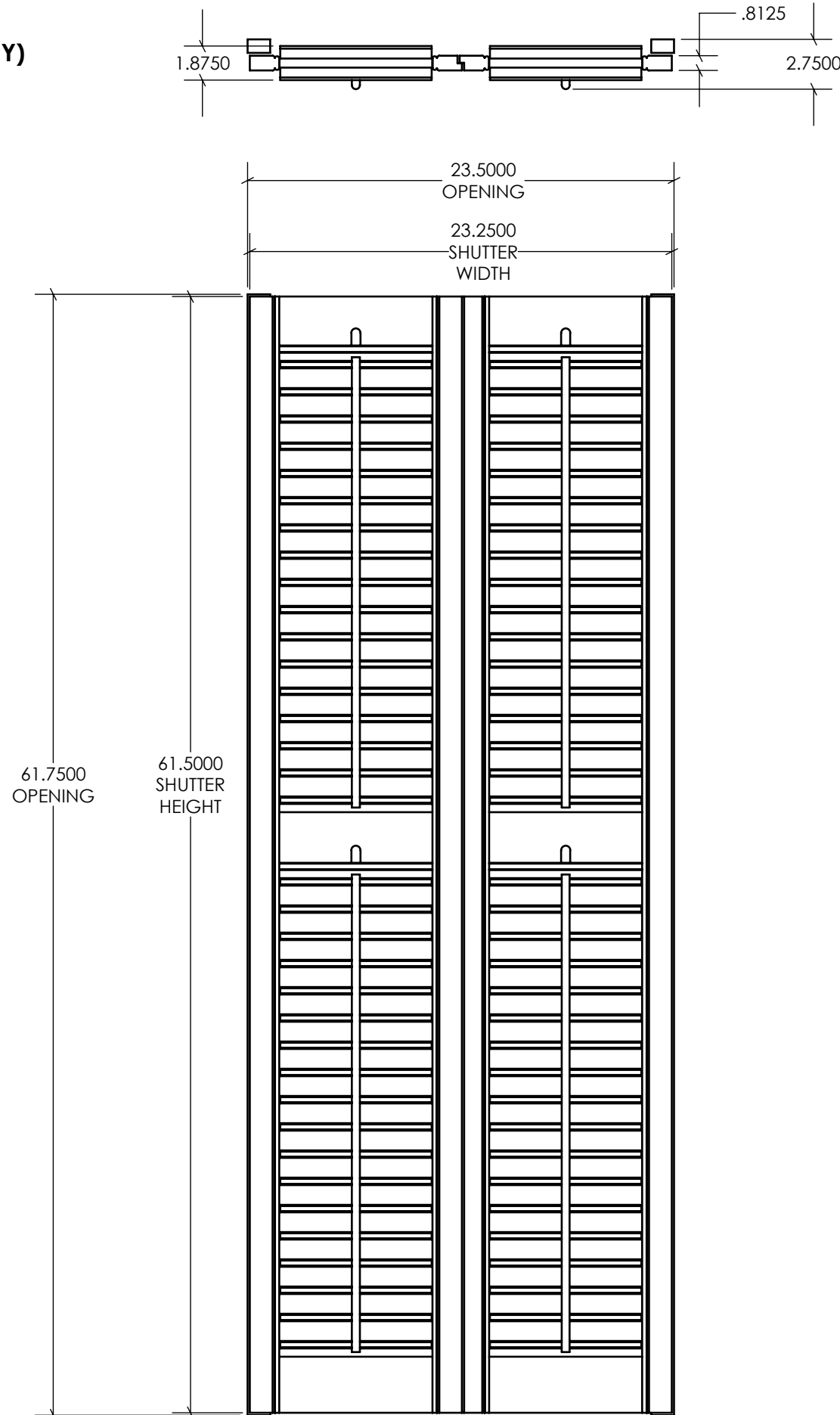
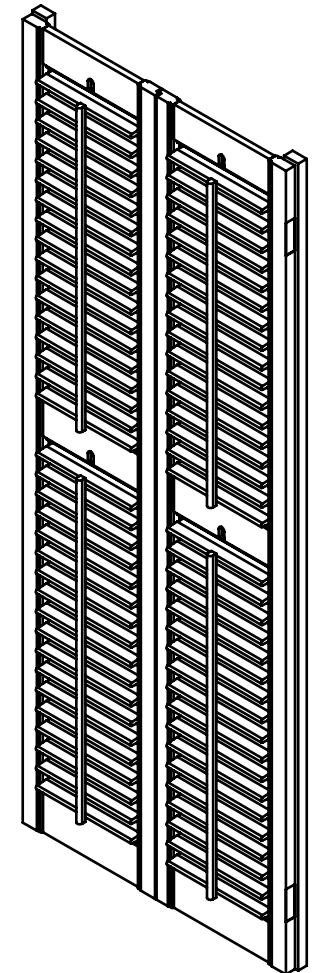


NOTES

1.CUSTOM COLOR MATCH (SW 7002 DOWNY)



REVISIONS			
REV.	DESCRIPTION	DATE	DRAWN BY
A	INITIAL RELEASE		




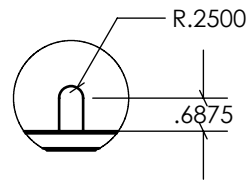
Approval Signature _____

Date _____

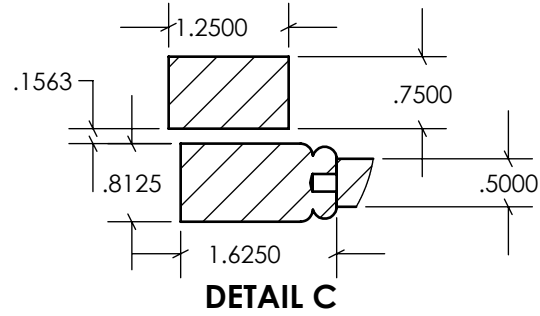
The signature (or AAN Stamp) on this print indicates the approval of the design, dimensions, and quantities shown. Authorization for this product to be manufactured is given.

*****ALL PARTS SHOWN ARE ADAMS STANDARD PROFILES*****
*****TWO DIMENSION REVISIONS ARE INCLUDED*****
*****ANY CHANGES TO PROFILES/PARTS WILL INCUR ADDITIONAL CHARGES*****

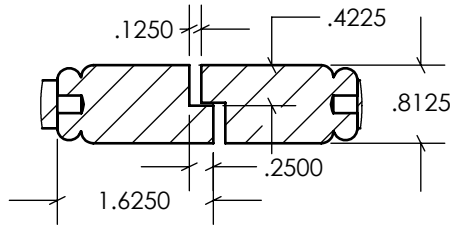
UNLESS OTHERWISE SPECIFIED DIMENSIONS ARE IN INCHES		2225 Kerper Blvd. Dubuque, IA 52001 563-690-1358 p 563-557-8852 f	
		Victorian Louvered Shutter 2 Leaf Set	
TOLERANCES:			
SHEET 1 OF 3	SIZE B		REV A



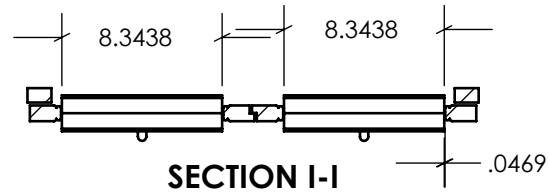
DETAIL E



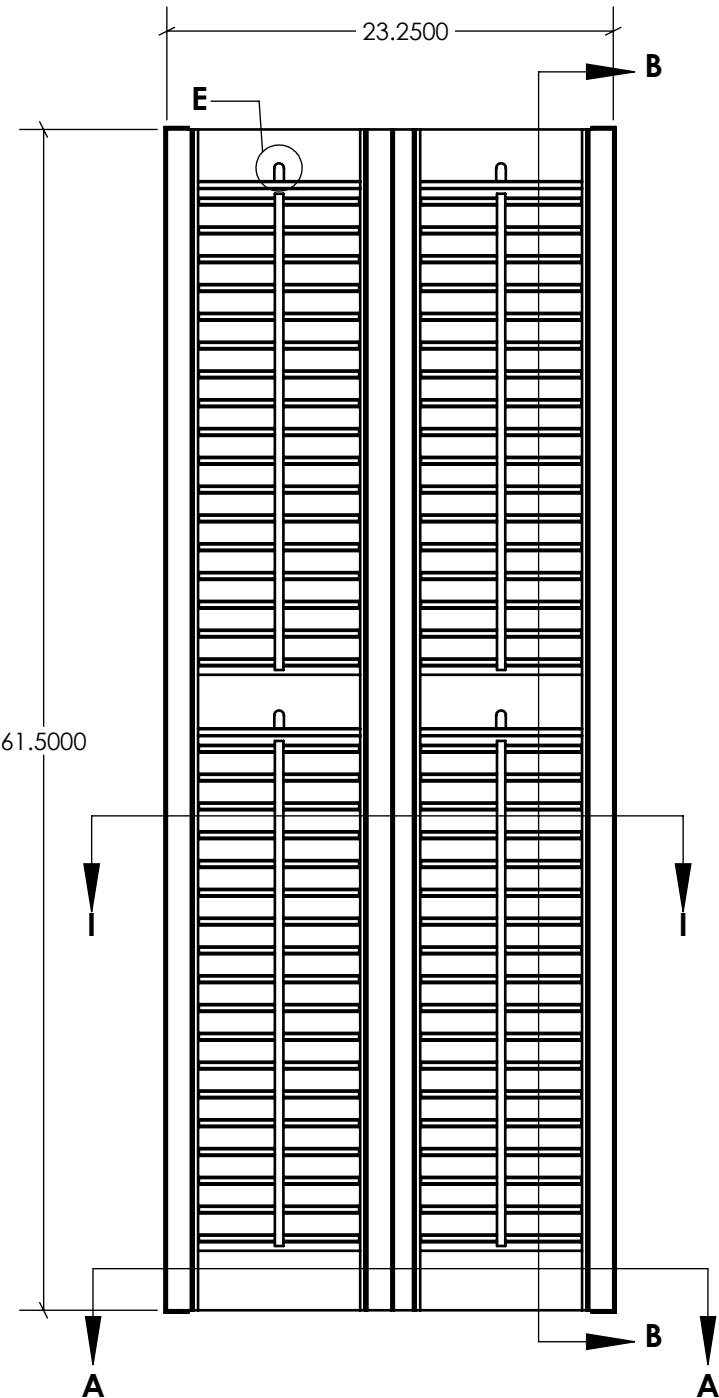
DETAIL C



DETAIL D

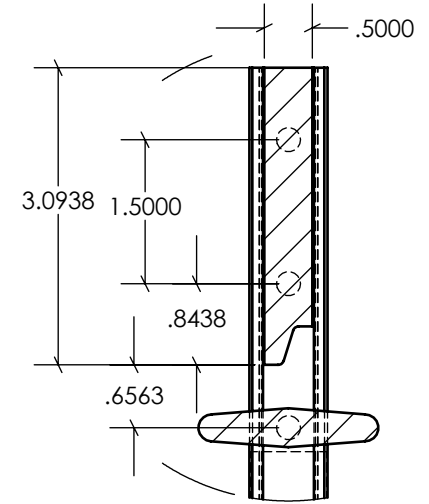
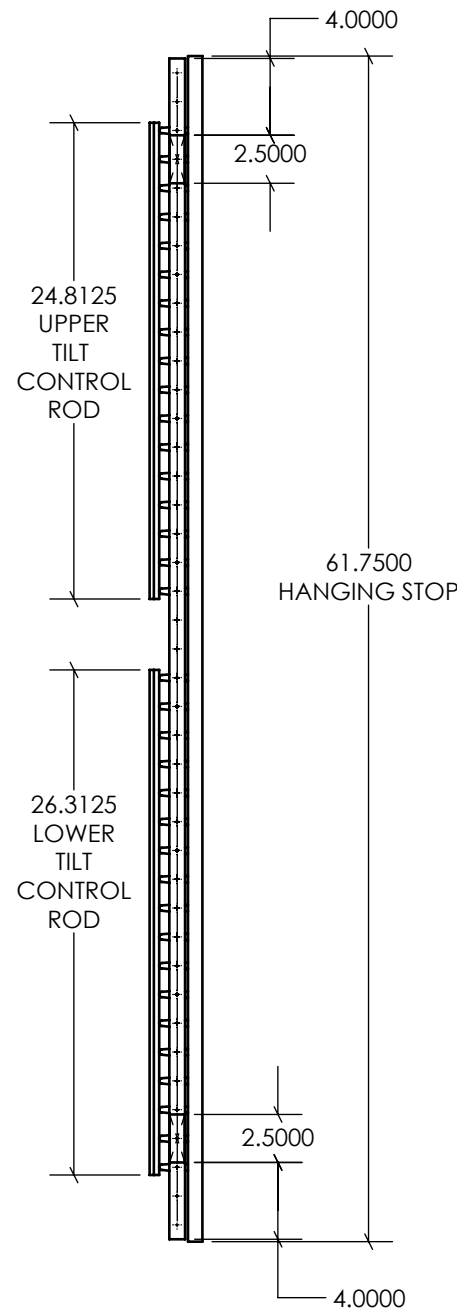


SECTION I-I

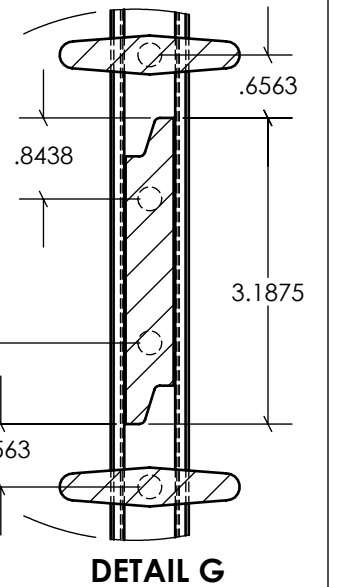


(UPPER LOUVER QTY = 17)
(LOWER LOUVER QTY = 18)

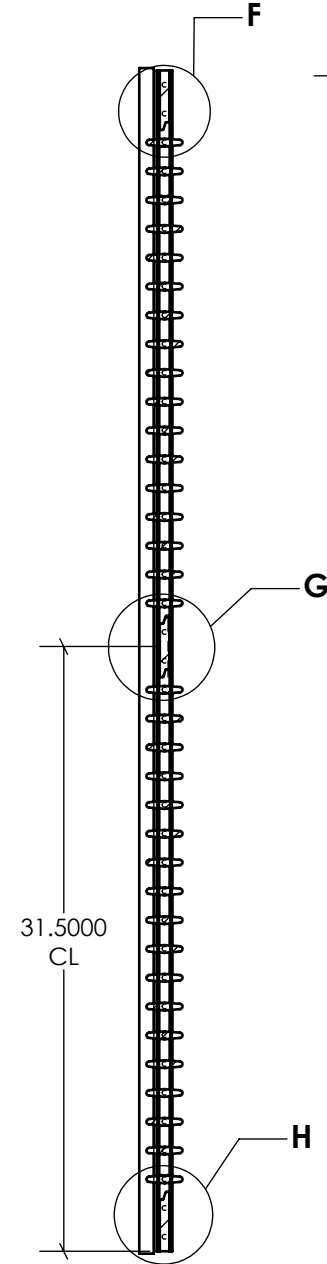
HINGE, TILT CONTROL ROD,
HANGING STOP DETAIL



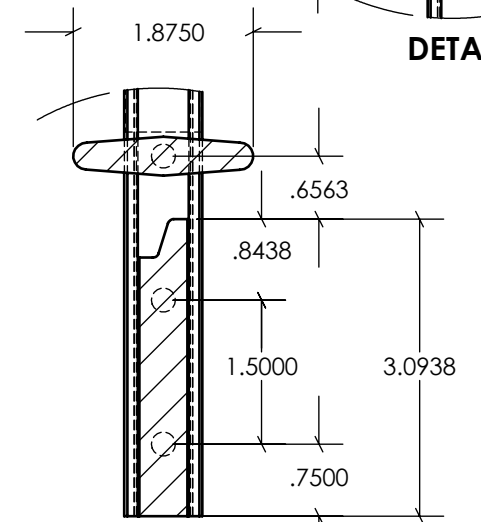
DETAIL F



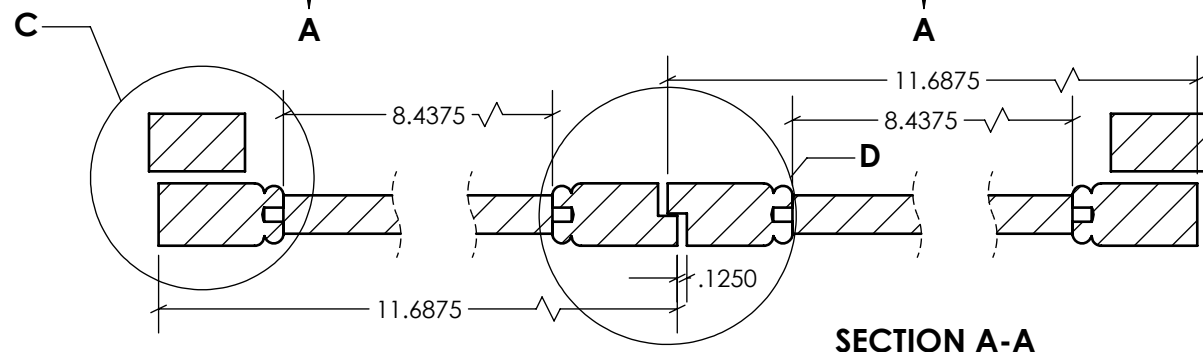
DETAIL G



SECTION B-B



DETAIL H



SECTION A-A

UNLESS OTHERWISE SPECIFIED
DIMENSIONS ARE IN INCHES

TOLERANCES:



2225 Kerper Blvd.
Dubuque, IA 52001
563-690-1358 p
563-557-8852 f

Victorian Louvered Shutter
2 Leaf Set

SHEET 2 OF 3

SIZE
B

REV
A