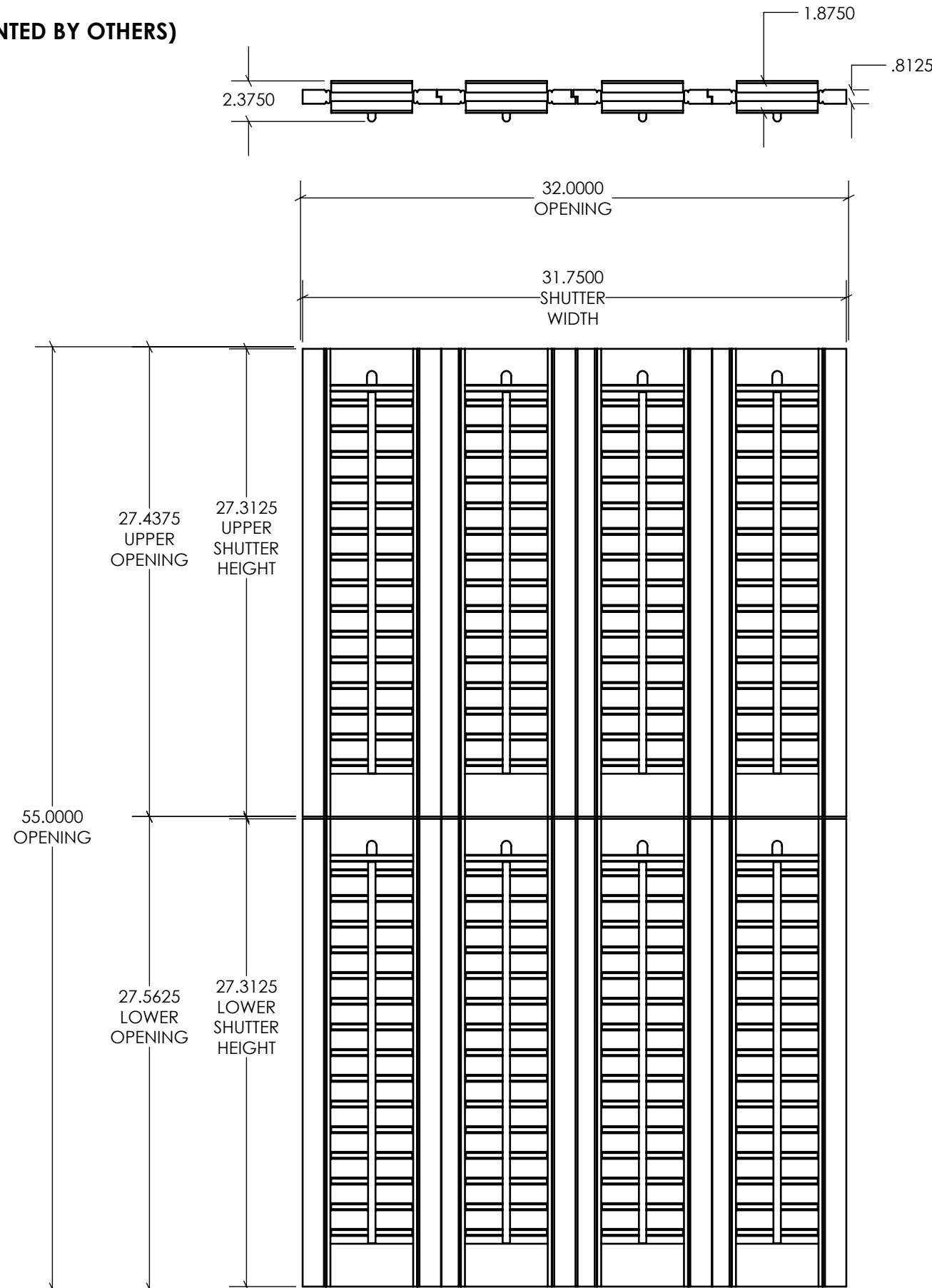
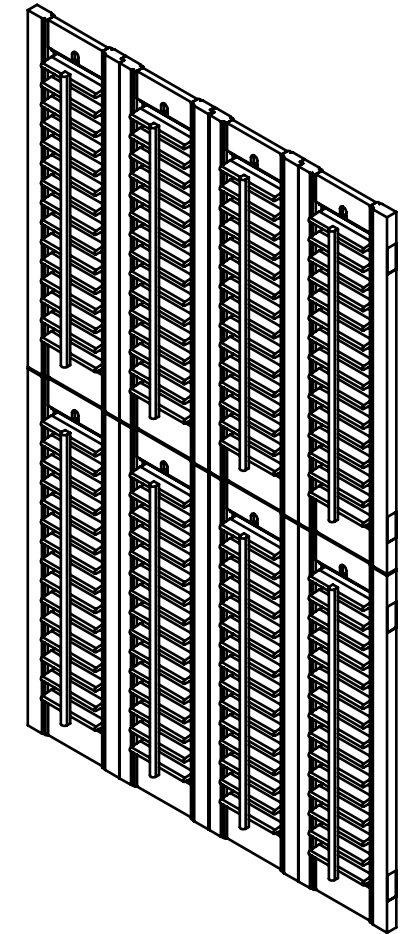


**NOTES**

**1. FINISH: PRIMED (TO BE PAINTED BY OTHERS)**



REVISIONS			
REV.	DESCRIPTION	DATE	DRAWN BY
A	INITIAL RELEASE		




Approval Signature \_\_\_\_\_

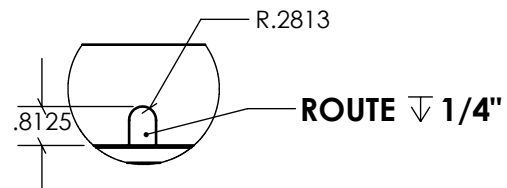
Date \_\_\_\_\_

The signature (or AAN Stamp) on this print indicates the approval of the design, dimensions, and quantities shown. Authorization for this product to be manufactured is given.

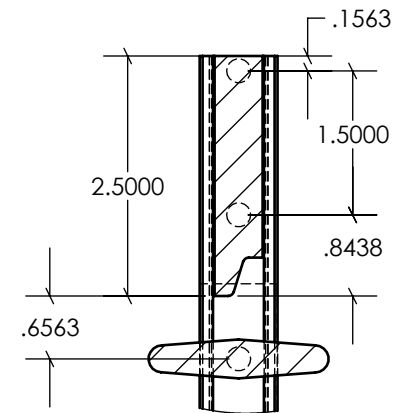
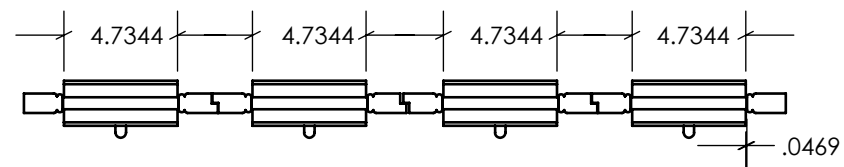
**\*\*\*ALL PARTS SHOWN ARE ADAMS STANDARD PROFILES\*\*\***  
**\*\*\*TWO DIMENSION REVISIONS ARE INCLUDED\*\*\***  
**\*\*\*ANY CHANGES TO PROFILES/PARTS WILL INCUR ADDITIONAL CHARGES\*\*\***

UNLESS OTHERWISE SPECIFIED DIMENSIONS ARE IN INCHES		2225 Kerper Blvd. Dubuque, IA 52001 563-690-1358 p 563-557-8852 f	
		<b>Victorian Louvered Shutter 4 Leaf Bi-fold Set</b>	
TOLERANCES:			
SHEET 1 OF 4	SIZE B		REV A

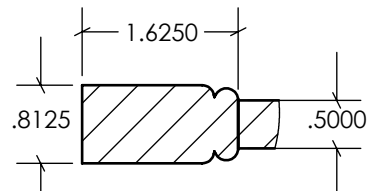
(UPPER LOUVER QTY = 15)



DETAIL E

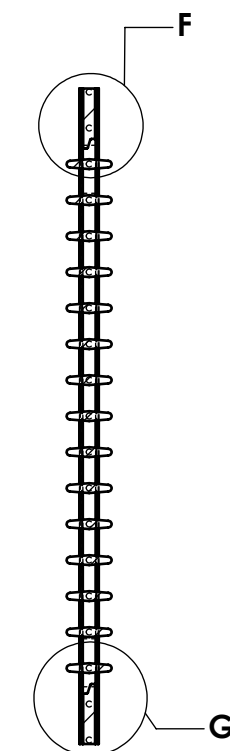
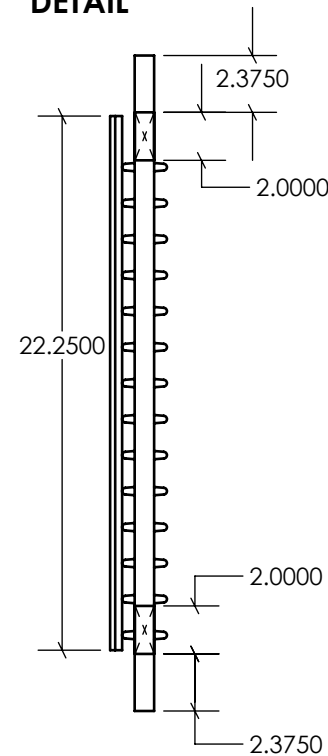


DETAIL F

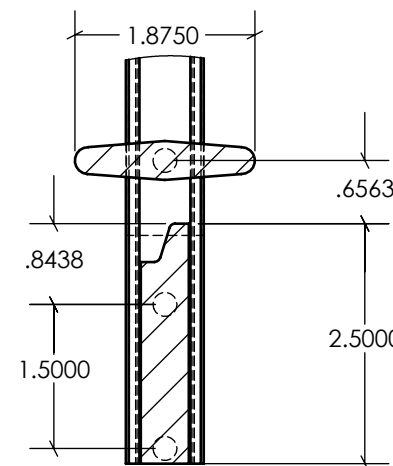


DETAIL C

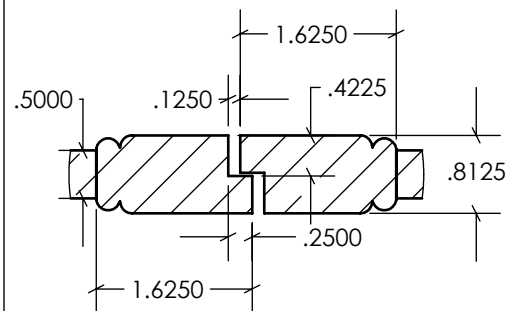
HINGE LOCATION AND TILT CONTROL ROD DETAIL



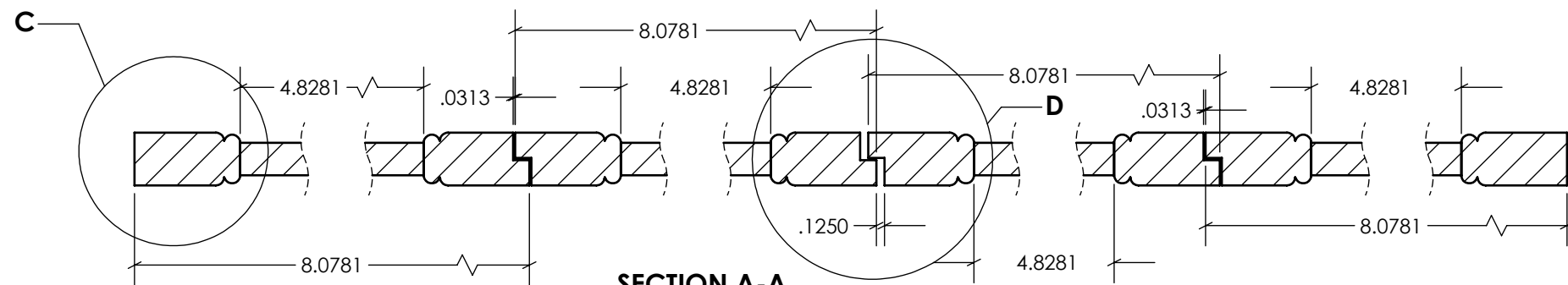
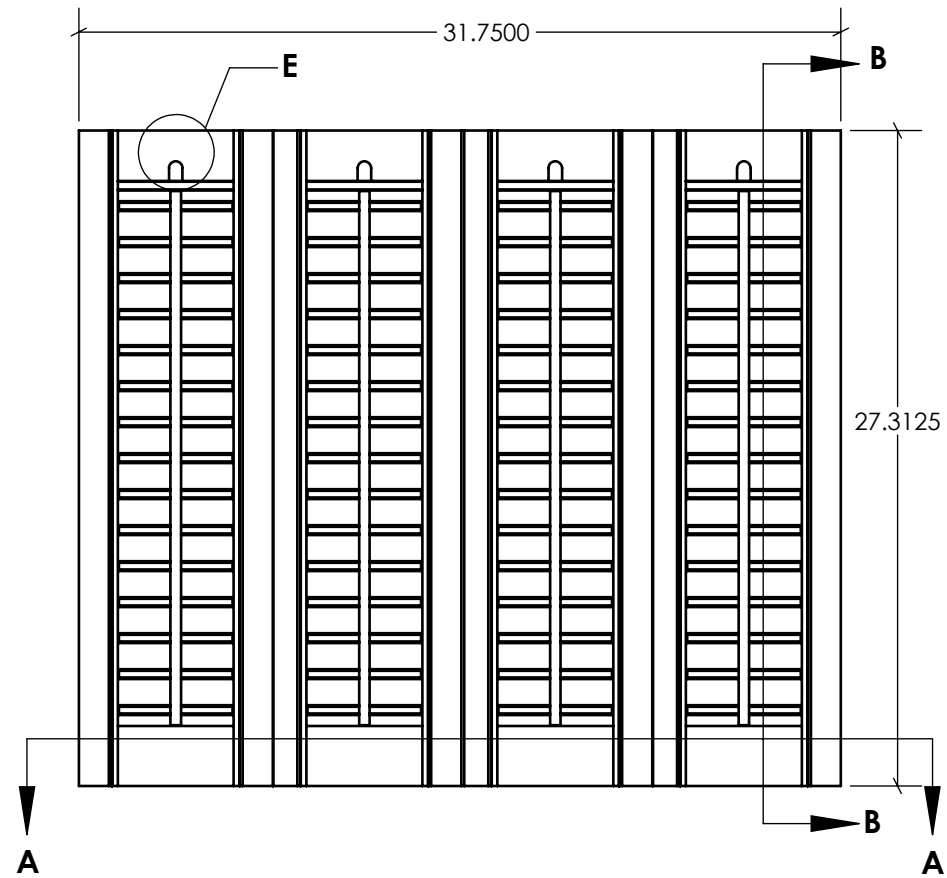
SECTION B-B




DETAIL G

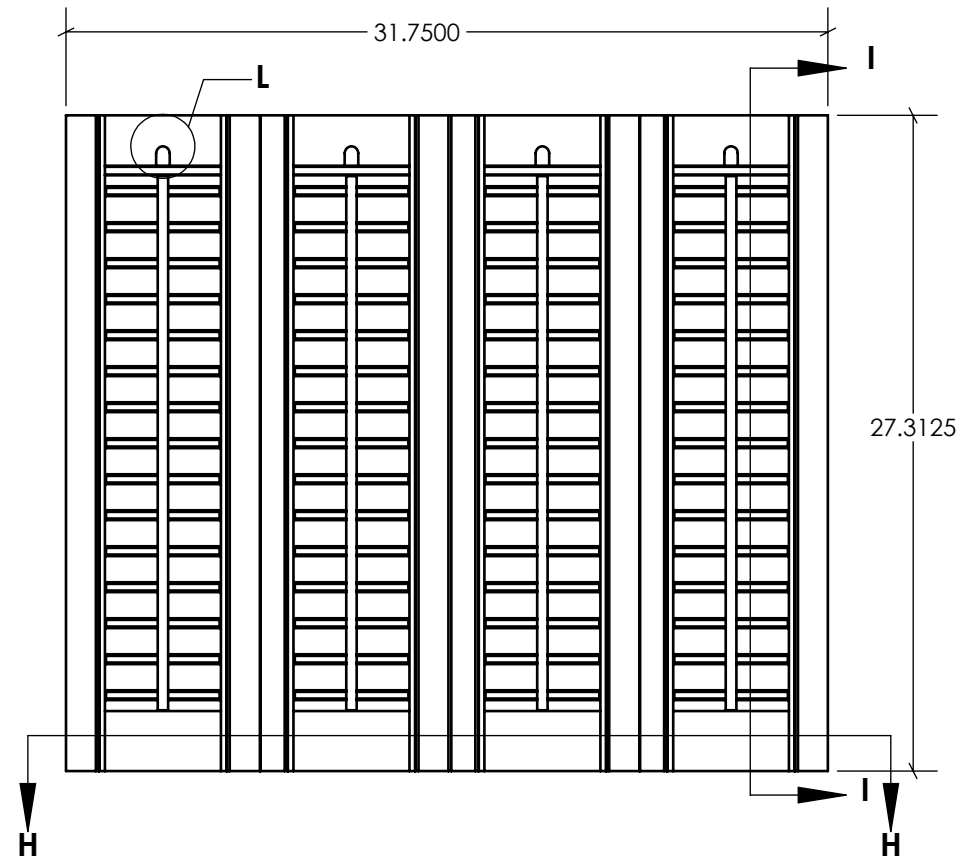
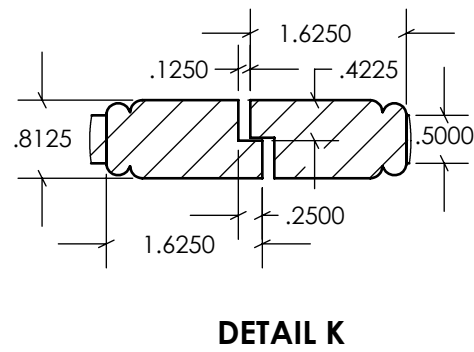
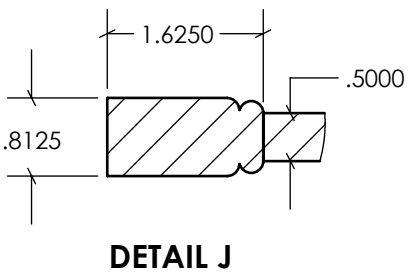
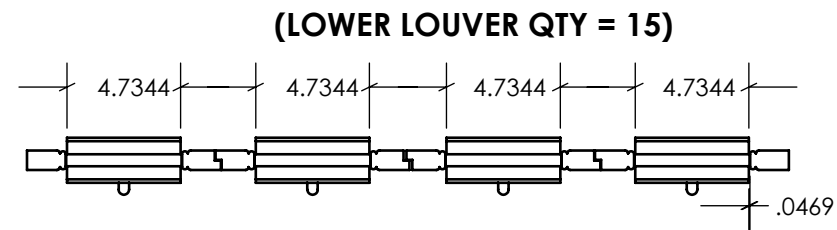
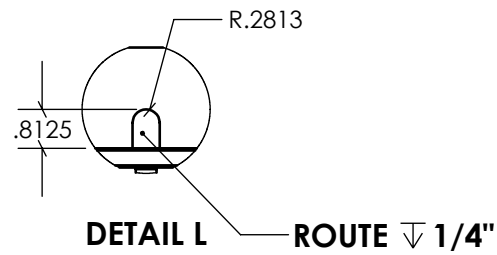


DETAIL D

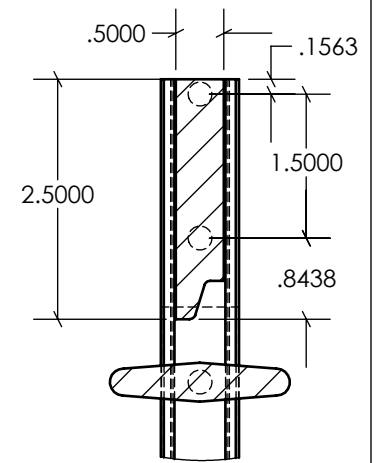
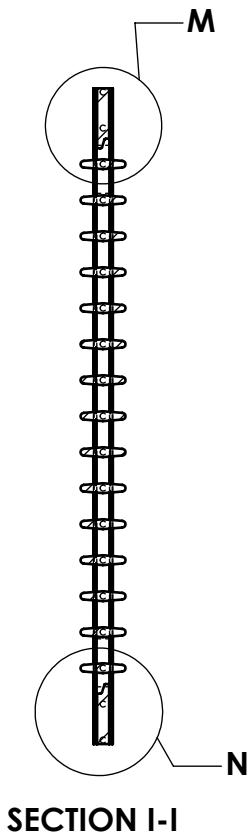
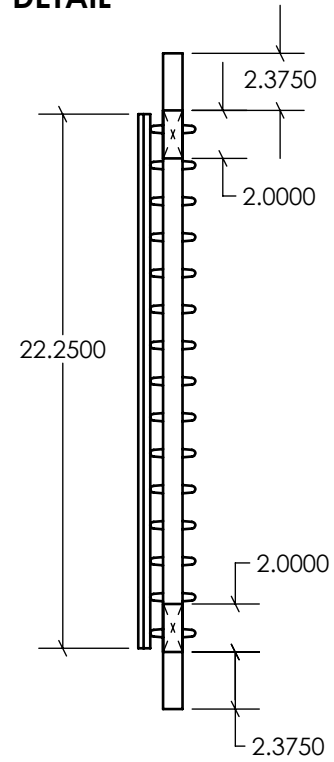


SECTION A-A

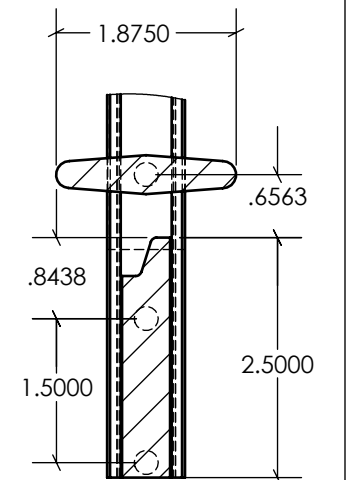
UNLESS OTHERWISE SPECIFIED DIMENSIONS ARE IN INCHES  TOLERANCES:			2225 Kerper Blvd. Dubuque, IA 52001 563-690-1358 p 563-557-8852 f
	<b>Victorian Louvered Shutter 2 Leaf Set</b>		
SHEET 2 OF 4	SIZE B		REV A



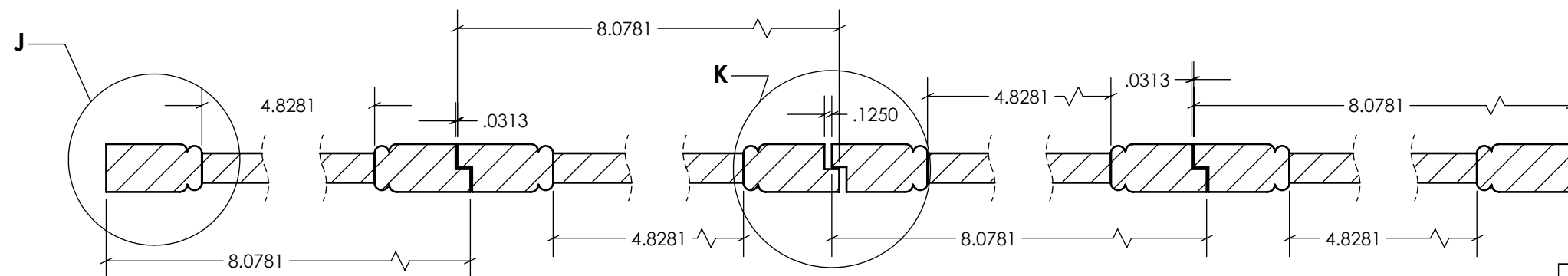
**HINGE LOCATION AND TILT CONTROL ROD DETAIL**



**DETAIL M**



**DETAIL N**



**SECTION H-H**

UNLESS OTHERWISE SPECIFIED  
DIMENSIONS ARE IN INCHES

TOLERANCES:



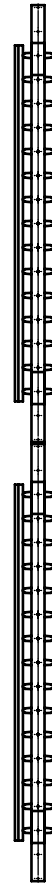
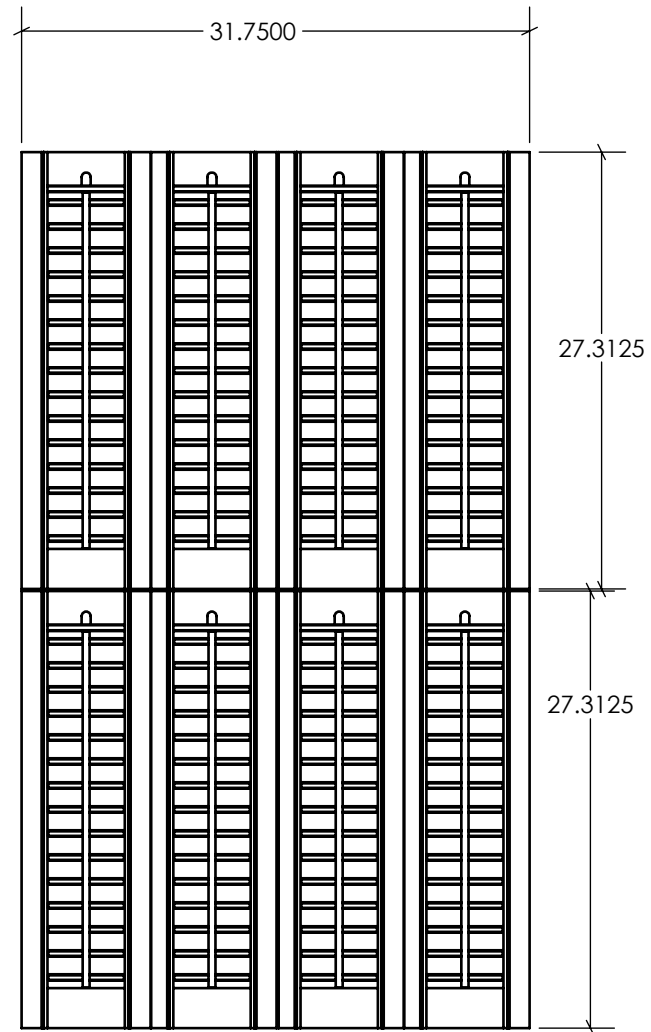
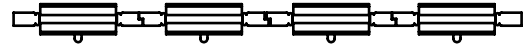
2225 Kerper Blvd.  
Dubuque, IA 52001  
563-690-1358 p  
563-557-8852 f


**Victorian Louvered Shutter  
2 Leaf Set**

SHEET 3 OF 4

SIZE  
B

REV  
A



UNLESS OTHERWISE SPECIFIED DIMENSIONS ARE IN INCHES		2225 Kerper Blvd. Dubuque, IA 52001 563-690-1358 p 563-557-8852 f	
		<b>Victorian Louvered Shutter 2 Leaf Set</b>	
SHEET 4 OF 4	SIZE B		REV A